

FELTON

Product Catalogue 2022

EDITION ONE



New Zealand Owned & Operated Since 1968



URBAN

The Urban range reflects the current trend for square and rectangular shapes. Sharp lines are balanced with soft edges for a timeless appeal.

PAGE 83

Halo

PAGE 100

Odyssey

PAGE 103

City

PAGE 104

Felton Care

PAGE 106

Designer

PAGE 109



QUE

Inspired by contemporary curves and soft square designs, the Que range adds elegance to any bathroom.

PAGE 87

Water Saving Technology

Oxijet®

PAGE 111



SLIQUE

The Slique range embodies the soft square aesthetic with a refined and contemporary twist on the classic look.

PAGE 97

Look out for Symbols



FOR ALL PRESSURES INCLUDING UNEQUAL



FOR UNEQUAL PRESSURE



10 YEAR WARRANTY



MADE IN NEW ZEALAND



FOR EQUAL LOW PRESSURE



FOR EQUAL PRESSURE



LIFETIME EXTENSION WARRANTY



WATERMARK CERTIFIED



FOR EQUAL HIGH (MAINS) PRESSURE



5 YEAR WARRANTY



SHOWER APERTURE



DESIGNED & ASSEMBLED IN NZ



5 YEAR LIMITED WARRANTY ON PRODUCT FINISH

Contents

OUR STORY	02
QUICK GUIDE	06
OUR COLLECTIONS	13
CATEGORIES	112
DIGITAL PRODUCTS	113
ACCESSORIES	113
KITCHEN & LAUNDRY	114
SINK MIXERS	114
LAUNDRY TAPS	115
SINK TAPS	115
BATH / BASIN TAPS	115
BATHROOM	116
BASIN MIXERS	116
SHOWER MIXERS	117 – 119
FELTONMIX® SHOWERS	119
BATH SPOUTS	120
BATH FILLERS	120
BASIN / BATH MIXERS	121
RAIN HEADS	122
RAIN SHOWER COLUMNS	124
SLIDE SHOWERS	125
SHOWER HEADS	127
OXIJET®	127
OUR WARRANTIES	128

Our Collections



DIGITAL

TATE

Tate is a high-end, minimalist range that encapsulates the perfect combination of form, function and finish, presented in a range of exquisite colours.

PAGE 15



DIGITAL

AXISS

With its sleek and modern form inspired by organic curves, Axiss delivers a new level of usability and flexibility.

PAGE 53



LINEA

Clean and minimalist in design, Linea complements modern bathrooms and kitchens.

PAGE 69



FELTON COLLECTION

Classic and minimalist tapware that can be paired with products from any of our ranges, or those already installed in your bathroom or kitchen.

PAGE 77

Proudly New Zealand owned and operated

WHO WE ARE

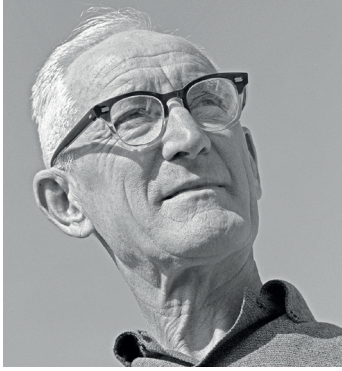
Felton was first established by Max Davies in Auckland in 1968 on Felton Matthew Avenue, Saint Johns. Just like in the early days, Felton products are proudly designed and finished in New Zealand – a breeding ground for innovation and design. Felton is proud to have some of the best designers in the industry who constantly strive for perfection and push water technology to the next level. With a vested interest in the environment, one of Felton's main areas of focus is water-saving products.



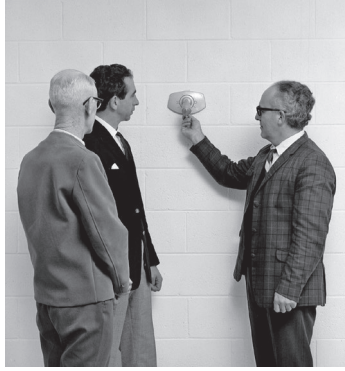
OUR MISSION

*We aim to deliver amazing customer experiences
through our shower and tapware innovations.*



*1968 – Current***MORE THAN 50 YEARS
OF TAPWARE AND INNOVATION****1968**

Founded 23rd September 1968 by Max Davies at Felton Matthew Avenue - the origin of the company's name.

**1969**

Feltonmix[®] launched the first shower mixer to work on unequal water pressure - the first valve was sold in October 1969.

**1986**

We introduced the first plastic-bodied shower mixer, an improved design of the Feltonmix[®].

OUR INNOVATIONS

With a vested interest in the environment and increasing efficiencies, one of Felton's main areas of focus is water-saving products. Today, with over 1.6 million shower mixers sold, Felton is committed to delivering even more innovation, design and technology for many more years to come.



**FELTONMIX[®]
SHOWER MIXER**



**OXIJET[®]
WATER-SAVING
TECHNOLOGY**



**FLEXIDISC[®]
MAINS/EQUAL
PRESSURE
SHOWER MIXER**



**VERSADISC[®]
SHOWER MIXER**



**FUSION PLUS[®]
SHOWER MIXER**



**AERLUX[™]
TECHNOLOGY**

VIEW MORE ON OUR WEBSITE

WWW.FELTON.CO.NZ/ABOUT-US/

OUR AWARDS

Felton is proud to have some of the best designers in the industry who are constantly striving for perfection and pushing water technology to the next level. Our design process encompasses three main considerations - understanding user needs, research and development of the latest technologies, and respect for the environment. Felton's product design and technologies have won a number of accolades including Best Design Awards, the Fieldays Grassroots Innovation Award and PDANZ (Plumbing Distributors Association of New Zealand) Top Product Awards.

AXISS COLLECTION



TATE COLLECTION



TATE AERLUX™ HANDPIECE



OUR STANDARDS

From design to dispatch, our procedures are audited independently and comply with ISO9001. Our ISO9001 certification confirms our commitment to quality management systems, as well as demonstrating our willingness to improve efficiency in order to deliver better products & services to our customers. The Watermark certification (also independently audited) is a mark of quality that confirms our products meet the relevant NZ / AUS plumbing and building industry standards.



Felton's hydraulic lab has been accredited by IANZ to undertake independent official testing to Australian and NZ standards for tapware and showers. We test our own products for compliance with the various standards to ensure that quality product is delivered to the market. While the lab has been developed for our own testing, it is also available for external use, with reports now accepted by Australian certifiers towards for example Watermark certification. WELS (for water efficiency ratings) testing to NZ or Australian standards can also be completed. For the full scope of testing that Felton's lab can complete see www.IANZ.Govt.nz/directory.

Step by *step* guide

Whether you're building a new bathroom, renovating or replacing an existing shower, choosing products can be a daunting task. Many consumers base their decisions solely on price or style, but this often results in poor performance as the product may not be suited to their particular situation.

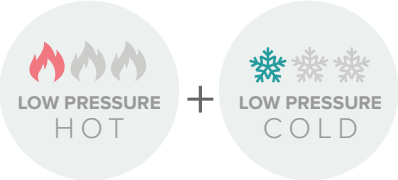
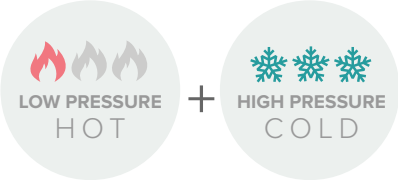

SELECTING THE RIGHT PRODUCTS

FOR BEST PERFORMANCE

1 Identify your water pressure system

There are 3 different household water pressure systems in New Zealand: unequal, equal low and equal high (mains). It's important to choose products that are designed for your specific pressure system, as not all products work on all pressure systems.

WHAT'S MY WATER PRESSURE?

EQUAL LOW PRESSURE	UNEQUAL PRESSURE	HIGH (MAINS) PRESSURE
		
<p>Both your hot and cold supply are from the same source at low pressure - for example, cylinder, ceiling tank, a tank on an outside stand or a tank elevated on a hillside.</p>	<p>Your cold supply comes directly in from the mains or town supply or a large supply tank installed with a pump to increase pressure, but your hot supply comes from a low pressure hot water system.</p>	<p>Both hot and cold are supplied with mains pressure. A mains pressure hot water system is installed.</p>

2 Identify your current & future needs

Who will be the main users of this product? Will there be children or elderly users in the future? Is safety from scalding a concern? Would you like more flow, or less flow, to save water? Will you be upgrading your hot water system in a few years time?

3 Select the best mixer for your shower

Think of your shower mixer as the main engine – it supplies the right mix of flow and temperature to all the other shower components. Selecting a mixer that best matches your pressure system and needs is a crucial step to getting the best performance out of your shower.



If you're unsure what your pressure system is, the **Thumb Test** is a rough guide:

If you can hold your thumb over the outlet of the tap while it is fully turned on (either hot or cold), and you completely stop the flow of water, it is low pressure. Be careful not to scald yourself when checking the hot supply. Always check with your plumber to confirm.



4 Select the best components for your shower

EQUAL LOW AND UNEQUAL PRESSURE SITUATION

Maximise your flow by installing a fixed rose/shower head or by using a large bore hose with your handpiece. A small bore hose fitted to an unequal pressure situation can decrease flow rates by as much as 60% compared to a large bore hose. Choose a shower head/handpiece designed for low/unequal pressures. Avoid multi-function or massage type shower heads (unless it is specifically stated to work on low pressures) as they may cause poor flow and temperature control.

EQUAL HIGH (MAINS) PRESSURE SITUATION

Consider using a flow restrictor in your shower head/handpiece to save water and energy. Most Felton shower heads/handpieces are supplied with a restrictor to ensure the most efficient use of water, while maintaining a comfortable shower.



5 Style and budget

What is your favourite style - traditional, classic or contemporary? Does this style of product match the style of your house? Will the styles that are trendy now look outdated in 5 years time? Consider the scale and shapes of products in relation to the size and shape of your basin, shower enclosure and bathroom space. Does the price fit within your budget? If not, are there more affordable options that are similar to your preferred style? Consider mixing and matching from different ranges to achieve both your style and budget requirements.



*Choosing the right shower
experience for you*

Do you prefer a soft shower? Or a hard shower?

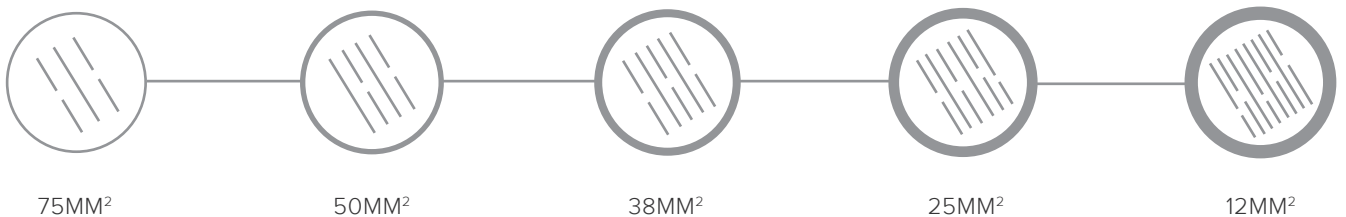
SHOWER APERTURE

A shower rose with a **larger total aperture area** than another will usually exhibit a lower velocity (softer shower), but with higher water consumption (flow).

A shower rose with a **smaller total aperture area** than another will usually exhibit higher velocity (harder shower) but with less water consumption (flow).

Softer shower

Harder shower



PVD FINISHES

About PVD finishes:

PVD stands for 'Physical Vapour Deposition'. This process is forming a thin, bonded, metal, or metal-ceramic surface layer that greatly improves the appearance, durability, and function of a part or product. It is more environmentally friendly than traditional coating processes such as electroplating and painting.

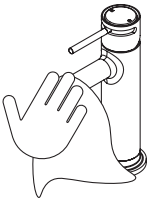
The components are sealed in an airtight chamber and a vacuum is created. In this vacuum, an inert gas such as nitrogen is used as a medium, and the negatively charged tap bodies attract the positively charged metallic particles. Different finishes are achieved by combining different metal 'targets' and gases.

PVD coated products require the same cleaning as any chrome plated products.

How to care for your finishes:

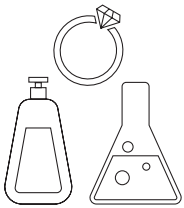
All products require some care and attention from time to time. We recommend using a soft microfibre cloth with a solution of warm water and mild detergent to wipe down the mixer once a week to keep your tapware and mixers looking great.

General cleaning



Clean with a soft microfibre cloth

Use a soft microfibre cloth, warm water and mild detergent such as dishwashing liquid to clean your tapware.



Things to avoid:

Avoid abrasive cleaning solutions and handling the tapware while wearing/using sharp objects such as rings that could potentially scratch the surface of the tapware.



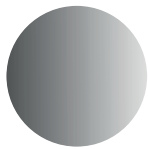
BLACK



BRUSHED GOLD

COLOUR FINISHES

We offer a range of solid finishes across our collections. Giving you more choices to pick and choose different styles from different ranges with the same consistency of finish. All our finishes comes with a 5 year limited warranty on product finish.



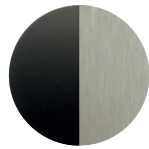
Chrome



Black/Gloss Black



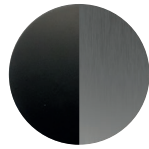
Black



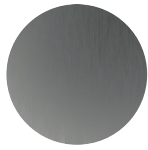
Black/Brushed Nickel



Brushed Gold



Black/Brushed Gunmetal



Brushed Gunmetal



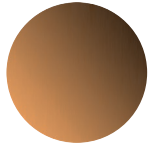
Black/Brushed Gold



Brushed Nickel



Brushed Nickel/Black



Brushed Bronze



Brushed Nickel/Brushed Gold

Please note there may be slight variations in the finish due to the nature of the manufacturing process.

Colour combinations are available in the Tate range

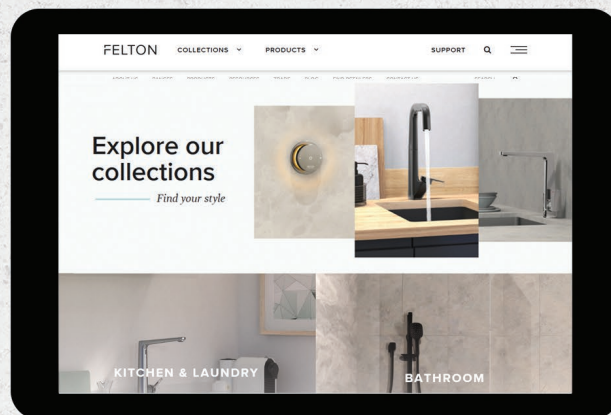
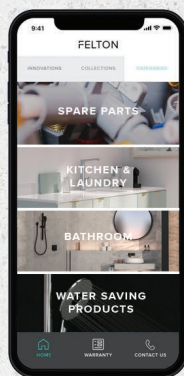
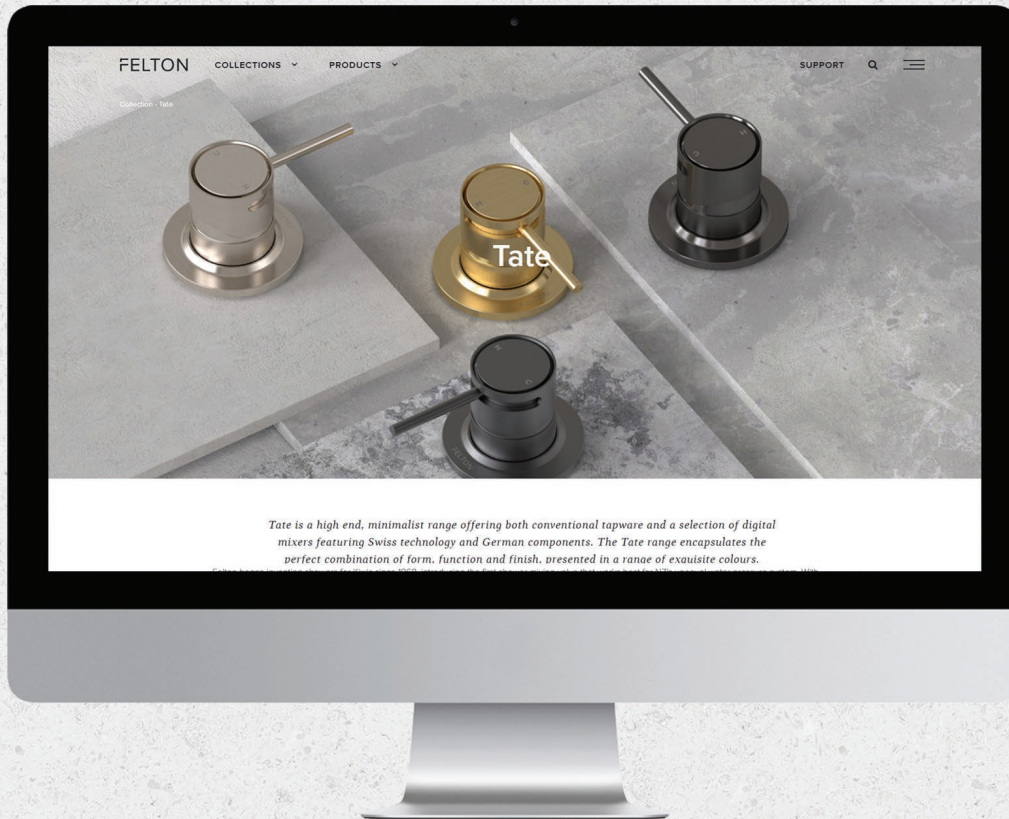
PG 15 - 51



BLACK (LEFT) AND GLOSS BLACK (RIGHT)



BRUSHED NICKEL/BRUSHED GOLD



VISIT OUR WEBSITE

WWW.FELTON.CO.NZ

Check out our website with exciting features to make it easier to find what you're looking for.

- Mobile friendly navigation
- Easy to print product technical sheets
- Easy online warranty form for plumbers
- New navigation to our Digital products

*OUR
COLLECTIONS*

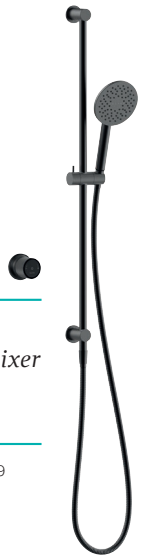
TATE DIGITAL DECK MOUNTED MIXER BRUSHED GOLD

Best Design Awards
Winner 2020

TATE

Tate is a high end, minimalist range offering both conventional tapware and a selection of digital mixers featuring Swiss technology and German components. Designed with compact, geometric elements, a subtle play on negative and positive space led to the unique indentation details. The Tate range encapsulates the perfect combination of form, function and finish, presented in a range of exquisite colours.

DIGITAL



TIP: Pair your digital shower mixer with a matching slide shower.

See page 38-39

1 TATE SMARTFLOW® DIGITAL SHOWER MIXER

- Digital thermostatic shower mixer
- Available in chrome & PVD finishes
- LED lights indicate change in water temperature
- Three programmable memory settings for temperature and flow rate
- Programmable maximum run time
- Ambient light setting function
- Gradual temperature control

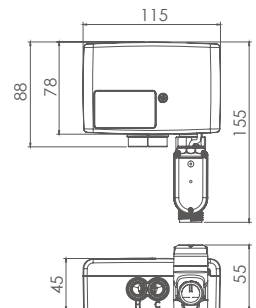
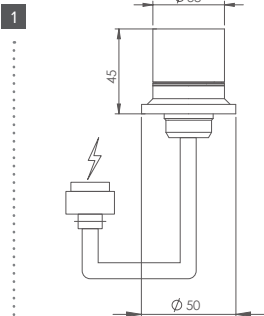


Up to 500kPa

FINISH	PRODUCT CODE
● CHROME	FD-TSFCSMC
● BRUSHED GOLD	FD-TSFC SMBG
● BLACK	FD-TSFC SMMB
● BRUSHED NICKEL	FD-TSFC SMBN
● BRUSHED GUNMETAL	FD-TSFC SMGM
● BLACK/GLOSS BLACK	FD-TSFC SMMB-GB
● BRUSHED BRONZE	FD-TSFC SMMBZ

► **COLOUR CUSTOMISATION AVAILABLE** PLEASE ENQUIRE FOR DETAILS.

► This product is available with Home Star – please enquire for more details.



DIGITAL**TATE SMARTFLOW® DIGITAL MIXER**

The Tate digital mixers feature Swiss technology and are backed with full technical support locally by Felton. Felton is well established in the New Zealand plumbing industry and has been leading innovations in water technology for more than 50 years. Tate digital mixers prevent spikes in water temperatures when other taps in the residence are used. A safer product choice, especially when there are children or the elderly in the household.

TATE OFFERS THREE TYPES OF DIGITAL PRODUCTS TO SUIT ANY SITUATION:



Tate Smartflow® Digital Shower Mixer



Tate Digital Deck Mounted Mixer



Tate Digital Wall Mounted Mixer

FEATURES & BENEFITS:

- LED lights indicate change in water temperature
- Three programmable memory settings for temperature and flow rate
- Programmable maximum run time
- Ambient light setting function
- Gradual temperature control

TURNING THE MIXER ON/OFF

Press the mixer once to turn on. The Smartflow™ mixer will light up. Press the mixer again to turn off.

**ADJUSTING THE TEMPERATURE**

Turn the mixer clockwise for hot water and anti-clockwise for cold water.

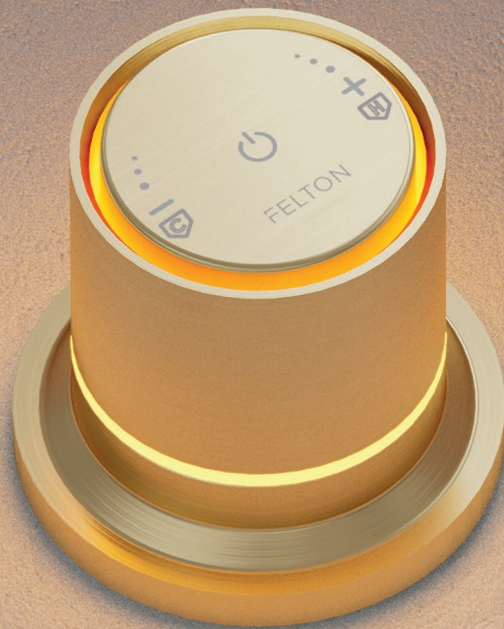
**ADJUSTING THE FLOW***

Press, hold and turn the mixer anti-clockwise to decrease flow and clockwise to increase flow.

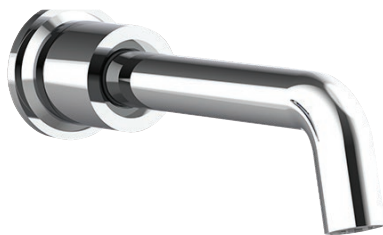


*The Tate Digital Wall Mounted Mixer and the Tate Digital Deck Mounted Mixer have a fixed flow rate, i.e no flow adjustment function. If you would like to control flow rates for these products, simply purchase the Tate Digital Shower Mixer and pair it with the Tate Wall Mounted Spout or Tate Deck Mounted Spout.

To find out more about our digital products, please visit our website www.felton.co.nz/digital

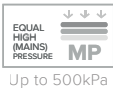


DIGITAL



1 TATE DIGITAL WALL MOUNTED MIXER

- Available in chrome & PVD finishes
- Suitable for left or right-handed installation
- Available in 180mm and 220mm reach
- Three programmable memory settings for temperature*
- LED lights indicate change in water temperature
- Programmable maximum run time
- Ambient light setting function
- Gradual temperature control



MP ★★★★★ 5.5 L/min
(when installed as basin/sink mixer)

Up to 500kPa

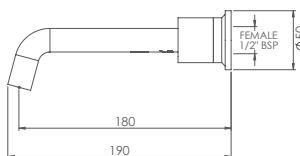
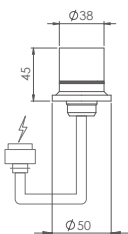
FINISH	PRODUCT CODE	
	SHORT (180MM)	LONG (220MM)
● CHROME	FD-TBFC-S	FD-TBFC
● BRUSHED GOLD	FD-TBFBG-S	FD-TBFBG
● BLACK	FD-TBFMB-S	FD-TBFMB
● BRUSHED NICKEL	FD-TBFBN-S	FD-TBFBN
● BRUSHED GUNMETAL	FD-TBFGM-S	FD-TBFGM
● BLACK/GLOSS BLACK	FD-TBFMB-GB-S	FD-TBFMB-GB
● BRUSHED BRONZE	FD-TBFBBZ-S	FD-TBFBBZ

► **COLOUR CUSTOMISATION AVAILABLE PLEASE ENQUIRE FOR DETAILS.**

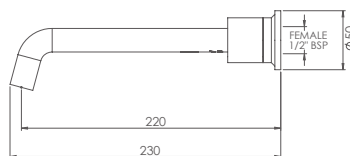
► *This product is available with Home Star – please enquire for more details.*

*Fixed flow rate only, i.e no flow adjustment function. If you would like to control the flow rate for this product, simply purchase the Tate Digital Shower Mixer and pair it with the Tate Wall Mounted Spout.

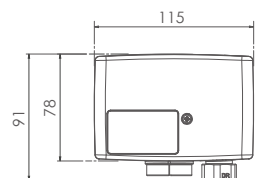
1



180MM



220MM

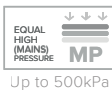


DIGITAL



1 TATE DIGITAL DECK MOUNTED MIXER

- Available in chrome & PVD finishes
- Suitable for left or right-handed installation
- Supplied with a 100mm extension component for optional height increase
- 360° swivel spout
- LED lights indicate change in water temperature
- Three programmable memory settings for temperature and flow rate*
- Programmable maximum run time
- Ambient light setting function
- Gradual temperature control



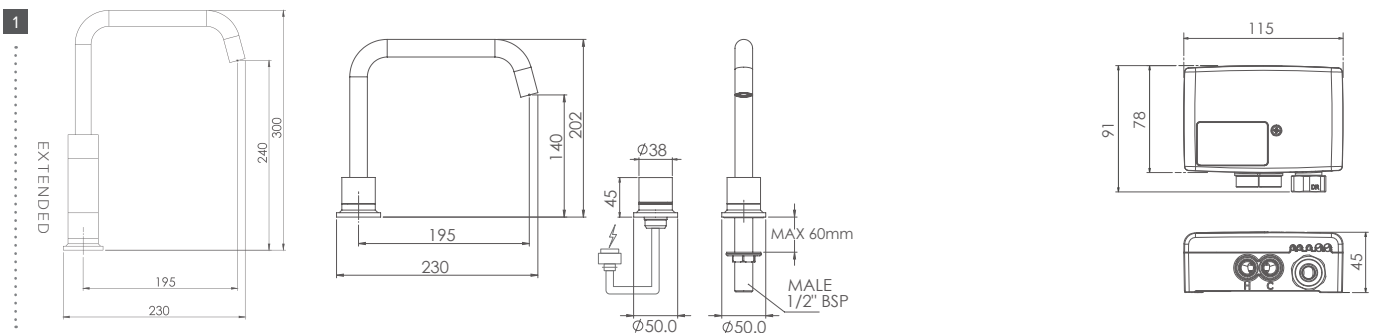
MP ★★★★★ 6.0 L/min
(when installed as basin/sink mixer)

FINISH	PRODUCT CODE
● CHROME	FD-TDMSMC
● BRUSHED GOLD	FD-TDMSMBG
● BLACK	FD-TDMSMMB
● BRUSHED NICKEL	FD-TDMSMBN
● BRUSHED GUNMETAL	FD-TDMSMG
● BLACK/GLOSS BLACK	FD-TDMSMMB-GB
● BRUSHED BRONZE	FD-TDMSMBZ

▶ **COLOUR CUSTOMISATION AVAILABLE PLEASE ENQUIRE FOR DETAILS.**

▶ *This product is available with Home Star – please enquire for more details.*

*Fixed flow rate only, i.e no flow adjustment function. If you would like to control the flow rate for this product, simply purchase the Tate Digital Shower Mixer and pair it with the Tate Deck Mounted Spout.





1 TATE BASIN MIXER

- Available in chrome & PVD finishes
- 25mm quality European cartridge
- Designed in NZ

New Zealand Registered Design No. 426071, No. 426072 & No. 427630



Except chrome

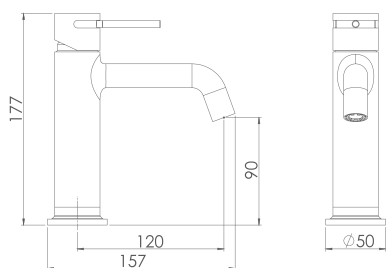
WELS **MP** ★★★★★ 6.0 L/min

FINISH	PRODUCT CODE	FINISH	PRODUCT CODE
● CHROME	TBMC	● BLACK/GLOSS BLACK	TBMMB-GB
● BRUSHED GOLD	TBMBG	● BLACK/BRUSHED NICKEL	TBMMB-BN
● BLACK	TBMMB	● BLACK/BRUSHED GUNMETAL	TBMMB-GM
● BRUSHED NICKEL	TBMBN	● BLACK/BRUSHED GOLD	TBMMB-BG
● BRUSHED GUNMETAL	TBMGM	● BRUSHED NICKEL/BLACK	TBMBN-MB
● BRUSHED BRONZE	TBMBBZ	● BRUSHED NICKEL/BRUSHED GOLD	TBMBN-BG

► **COLOUR CUSTOMISATION AVAILABLE** PLEASE ENQUIRE FOR DETAILS.

► This product is available with Home Star – please enquire for more details.

1





1 TATE SINK MIXER

- Available in chrome & PVD finishes
- 25mm quality European cartridge
- 360° swivel spout
- Designed in NZ

New Zealand Registered Design No. 426071, No. 426072 & No. 427630



Except chrome

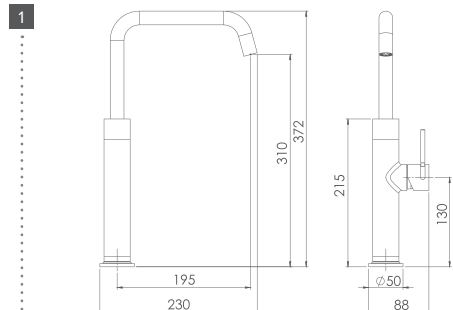
WELS MP ★★★★★ 6.5 L/min

FINISH	PRODUCT CODE
● CHROME	TSMC
● BRUSHED GOLD	TSMBG
● BLACK	TSMMB
● BRUSHED NICKEL	TSMBN
● BRUSHED GUNMETAL	TSMGM
● BRUSHED BRONZE	TSMBBZ

FINISH	PRODUCT CODE
● BLACK/GLOSS BLACK	TSMMB-GB
● BLACK/BRUSHED NICKEL	TSMMB-BN
● BLACK/BRUSHED GUNMETAL	TSMMB-GM
● BLACK/BRUSHED GOLD	TSMMB-BG
● BRUSHED NICKEL/BLACK	TSMBN-MB
● BRUSHED NICKEL/BRUSHED GOLD	TSMBN-BG

► **COLOUR CUSTOMISATION AVAILABLE** PLEASE ENQUIRE FOR DETAILS.

► This product is available with Home Star – please enquire for more details.



TATE SINK MIXER BRUSHED NICKEL/BLACK (LEFT) AND BLACK/BRUSHED NICKEL (RIGHT)





TATE WALL MOUNTED BASIN/BATH MIXER BRUSHED NICKEL/BRUSHED GOLD





1 TATE WALL MOUNTED BASIN/BATH MIXER

- Available in chrome & PVD finishes
- 35mm quality European cartridge
- Available in 180mm and 220mm reach
- Suitable for left or right-handed installation
- Designed in NZ

New Zealand Registered Design No. 426071, No. 426072 & No. 427630

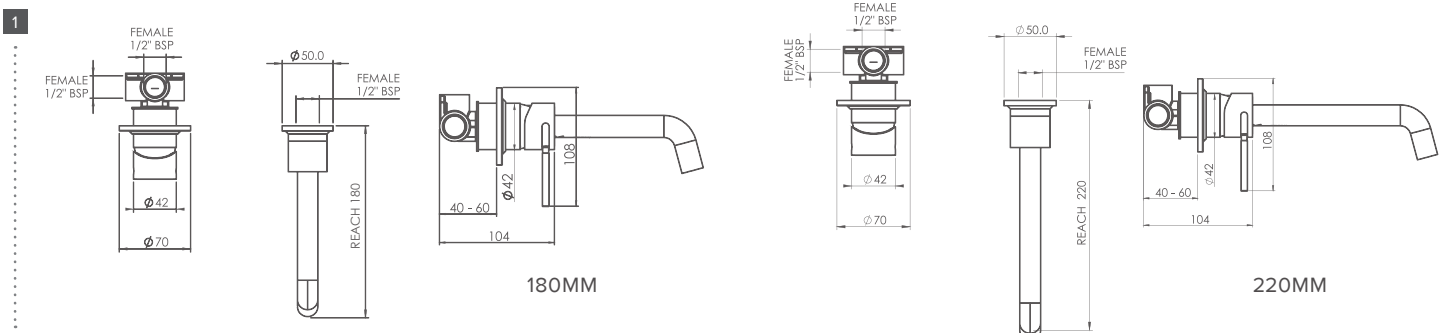
Up to 500kPa Except chrome

MP ★★★★★ 7.5 L/min
 (when installed as basin mixer)

FINISH	PRODUCT CODE		FINISH	PRODUCT CODE	
	SHORT (180MM)	LONG (220MM)		SHORT (180MM)	LONG (220MM)
● CHROME	TBFC-S	TBFC	● BLACK/GLOSS BLACK	TBFMB-GB-S	TBFMB-GB
● BRUSHED GOLD	TBFBG-S	TBFBG	● BLACK/BRUSHED NICKEL	TBFMB-BN-S	TBFMB-BN
● BLACK	TBFMB-S	TBFMB	● BLACK/BRUSHED GUNMETAL	TBFMB-GM-S	TBFMB-GM
● BRUSHED NICKEL	TBFBN-S	TBFBN	● BLACK/BRUSHED GOLD	TBFMB-BG-S	TBFMB-BG
● BRUSHED GUNMETAL	TBFGM-S	TBFGM	● BRUSHED NICKEL/BLACK	TBFBN-MB-S	TBFBN-MB
● BRUSHED BRONZE	TBFBBZ-S	TBFBBZ	● BRUSHED NICKEL/BRUSHED GOLD	TBFBN-BG-S	TBFBN-BG

► **COLOUR CUSTOMISATION AVAILABLE PLEASE ENQUIRE FOR DETAILS.**

► Available in Homestar WELS rating, please enquire for more information.



TATE DECK MOUNTED MIXER BRUSHED GUNMETAL





1 TATE DECK MOUNTED MIXER

- Available in chrome & PVD finishes
- 25mm quality European cartridge
- Can be used as basin, bath or sink mixer
- Supplied with a 100mm extension component for optional height increase
- 360° swivel spout
- Suitable for left or right-handed installation
- Designed in NZ

New Zealand Registered Design No. 426071, No. 426072 & No. 427630

MP ★★★★★ 6.5 L/min
 (when installed as basin/sink mixer)

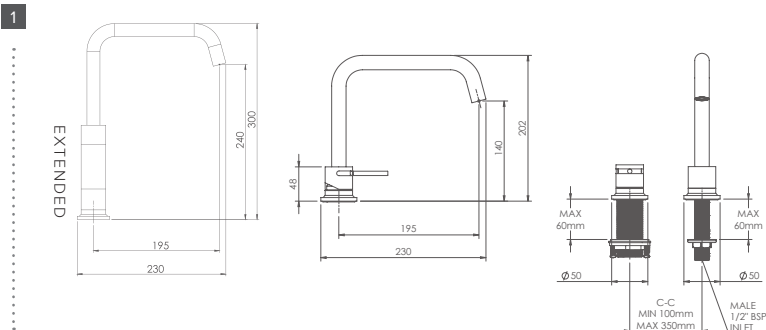
Except chrome

FINISH	PRODUCT CODE
● CHROME	TDMSMC
● BRUSHED GOLD	TDMSMBG
● BLACK	TDMSMMB
● BRUSHED NICKEL	TDMSMBN
● BRUSHED GUNMETAL	TDMSMGM
● BRUSHED BRONZE	TDMSMBBZ

FINISH	PRODUCT CODE
● BLACK/GLOSS BLACK	TDMSMMB-GB
● BLACK/BRUSHED NICKEL	TDMSMMB-BN
● BLACK/BRUSHED GUNMETAL	TDMSMMB-GM
● BLACK/BRUSHED GOLD	TDMSMMB-BG
● BRUSHED NICKEL/BLACK	TDMSMBN-MB
● BRUSHED NICKEL/BRUSHED GOLD	TDMSMBN-BG

► **COLOUR CUSTOMISATION AVAILABLE PLEASE ENQUIRE FOR DETAILS.**

► *This product is available with Home Star – please enquire for more details.*





1 TATE DECK MOUNTED SPOUT







- Available in chrome & PVD finishes
- Can be used for basin, bath or sink
- Supplied with 100mm extension component for optional height increase
- 360° swivel spout
- G½ inch male thread inlet
- Designed in NZ





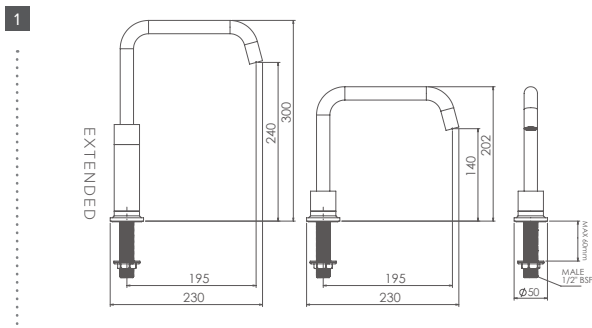


MP ★★★ 10.5 L/min
LP ★★★★★ 6.0 L/min
 Except chrome

FINISH	PRODUCT CODE
 CHROME	TDMSC
 BRUSHED GOLD	TDMSBG
 BLACK	TDMSMB
 BRUSHED NICKEL	TDMSBN
 BRUSHED GUNMETAL	TDMSGM
 BLACK/GLOSS BLACK	TDMSMB-GB
 BRUSHED BRONZE	TDMSBBZ

► **COLOUR CUSTOMISATION AVAILABLE** PLEASE ENQUIRE FOR DETAILS.

► This product is available with Home Star – please enquire for more details.





1 TATE WALL MOUNTED SPOUT 1/2"

- Available in chrome & PVD finishes
- Available in 180mm and 220mm reach
- G½ inch female threaded inlet
- Designed in NZ



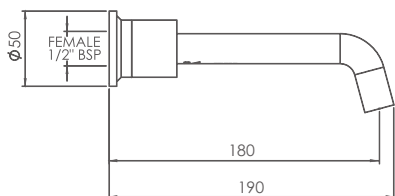
Except chrome

FINISH	PRODUCT CODE	
	SHORT (180MM)	LONG (220MM)
● CHROME	TBSC-S	TBSC
● BRUSHED GOLD	TBSBG-S	TBSBG
● BLACK	TBSMB-S	TBSMB
● BRUSHED NICKEL	TBSBN-S	TBSBN
● BRUSHED GUNMETAL	TBSGM-S	TBSGM
● BLACK/GLOSS BLACK	TBSMB-GB-S	TBSMB-GB
● BRUSHED BRONZE	TBSBBZ-S	TBSBBZ

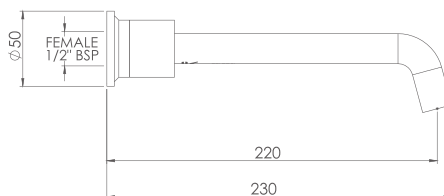
► **COLOUR CUSTOMISATION AVAILABLE** PLEASE ENQUIRE FOR DETAILS.

► This product is available with Home Star – please enquire for more details.

1



180MM



220MM



1 TATE SHOWER MIXER

- Available in chrome & PVD finishes
- 35mm quality European cartridge
- Designed & assembled in NZ

New Zealand Registered Design No. 426071, No. 426072 & No. 427630



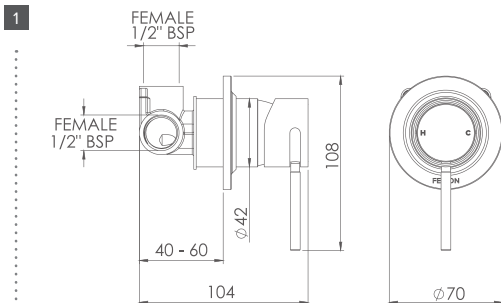
Except chrome

FINISH	PRODUCT CODE
● CHROME	TCSMC
● BRUSHED GOLD	TCSMBG
● BLACK	TCSMMB
● BRUSHED NICKEL	TCSMBN
● BRUSHED GUNMETAL	TCSMGM
● BRUSHED BRONZE	TCSMBBZ

FINISH	PRODUCT CODE
● BLACK/GLOSS BLACK	TCSMMB-GB
● BLACK/BRUSHED NICKEL	TCSMMB-BN
● BLACK/BRUSHED GUNMETAL	TCSMMB-GM
● BLACK/BRUSHED GOLD	TCSMMB-BG
● BRUSHED NICKEL/BLACK	TCSMBN-MB
● BRUSHED NICKEL/BRUSHED GOLD	TCSMBN-BG

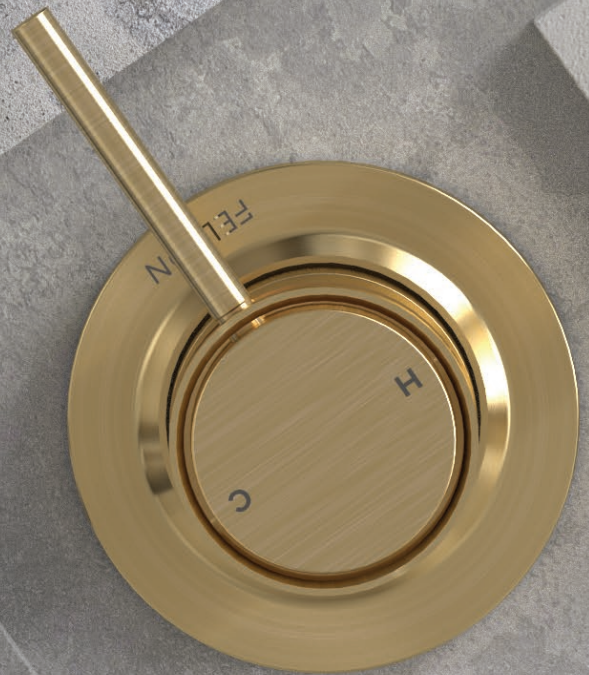
► **COLOUR CUSTOMISATION AVAILABLE** PLEASE ENQUIRE FOR DETAILS.

► This product is available with Home Star – please enquire for more details.



TATE SHOWER MIXER IN DIFFERENT FINISH OPTIONS

TATE





1 TATE DIVERTER MIXER

- Available in chrome & PVD finishes
- 35mm quality European cartridge
- Switch between two water outlets
- Designed in NZ

New Zealand Registered Design No. 426071, No. 426072 & No. 427630

EQUAL HIGH (MAINS) PRESSURE	WaterMark	10 YEARS WARRANTY	LIFE TIME EXTENSION	5 YEARS LIMITED WARRANTY PRODUCT FINISH
-----------------------------	-----------	-------------------	---------------------	---

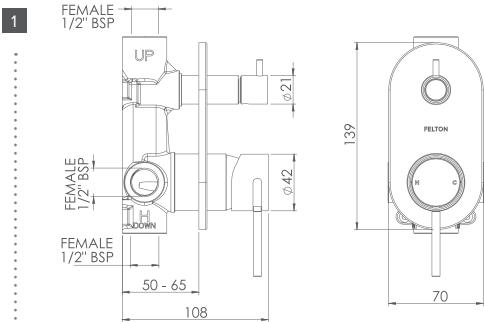
Up to 500kPa Except chrome

FINISH	PRODUCT CODE
● CHROME	TDCSMC
● BRUSHED GOLD	TDCSMBG
● BLACK	TDCSMMB
● BRUSHED NICKEL	TDCSMBN
● BRUSHED GUNMETAL	TDCSMGM
● BRUSHED BRONZE	TDCSMBBZ

FINISH	PRODUCT CODE
● BLACK/GLOSS BLACK	TDCSMMB-GB
● BLACK/BRUSHED NICKEL	TDCSMMB-BN
● BLACK/BRUSHED GUNMETAL	TDCSMMB-GM
● BLACK/BRUSHED GOLD	TDCSMMB-BG
● BRUSHED NICKEL/BLACK	TDCSMBN-MB
● BRUSHED NICKEL/BRUSHED GOLD	TDCSMBN-BG

► **COLOUR CUSTOMISATION AVAILABLE** PLEASE ENQUIRE FOR DETAILS.

► *This product is available with Home Star – please enquire for more details.*





AERLUX™ TECHNOLOGY

Introducing a luxurious shower handpiece, designed & made here New Zealand.

Supplied with two Aerlux™ jets for mains pressure situations.

The Aerlux™ handpiece encapsulates simplicity and versatility. Combined with innovative technologies, you can experience your most idyllic shower through unique spray options. With its timeless design and variety of luxury finishes, it's the perfect handpiece to complement any bathroom. The handpiece is supplied with two different Aerlux™ jets & a flow regulator, offering variety not only in the colour finishes available but with its spray options as well.

Available in the Tate range and Linea range.



Best Design Awards
Finalist 2021



Experience *Luxury* In Your Shower

The Aerlux™ technology gives you the freedom to create your ideal shower through unique spray options. The Aerlux™ jet draws in air, adding volume to each water droplet, creating a softer more voluminous shower. With two jets to choose from you can transform your shower to suit your desires.

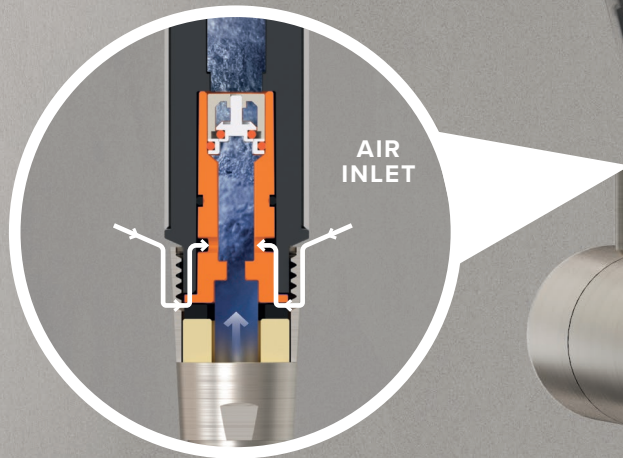
AERLUX™ JETS FOR MAINS PRESSURE:



Orange
For a softer shower



Purple
For a harder shower



SCAN HERE TO
EXPERIENCE THE
SPRAY IN ACTION



1 TATE AERLUX™ HANDPIECE








- Available in chrome & PVD finishes
- Stainless steel, single function handpiece
- Supplied with Aerlux™ jets for mains pressure situations
- Designed and made in NZ

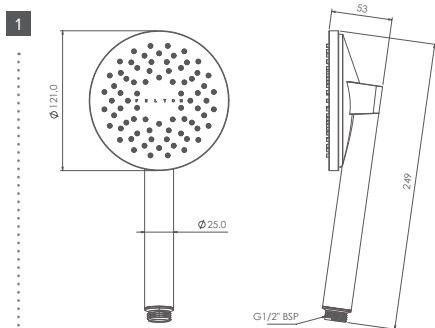






MP ★★★ 10.0 L/min
LP ★★★ 9.0 L/min

FINISH	PRODUCT CODE
 CHROME	HS0045
 BRUSHED GOLD	HS0049
 BLACK	HS0048
 BRUSHED NICKEL	HS0046
 BRUSHED GUNMETAL	HS0047
 GLOSS BLACK	HS0050
 BRUSHED BRONZE	HS0052



TATE AERLUX™ HANDPIECE IN DIFFERENT FINISH OPTIONS





FELTON



1 TATE AERLUX™ SINGLE SPRAY SLIDE SHOWER

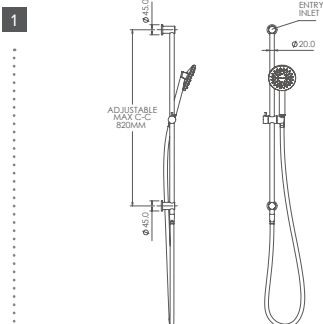
- Available in chrome & PVD finishes
- Top entry adjustable wet rail
- Stainless steel, single function handpiece
- Supplied with Aerlux™ jets
- 870mm slide rail (max 820mm c-c)
- Hose connects to slide rail without a separate outlet to elbow
- 1.5m hose

10.0 L/min

FINISH	PRODUCT CODE
CHROME	THSKCSRC
BRUSHED GOLD	THSKCSRBG
BLACK	THSKCSRMB
BRUSHED NICKEL	THSKCSRBN
BRUSHED GUNMETAL	THSKCSRGM
BRUSHED BRONZE	THSKCSRBBZ
BLACK/GLOSS BLACK	THSKCSRMB-GB



► COLOUR CUSTOMISATION AVAILABLE PLEASE ENQUIRE FOR DETAILS.












1 TATE AERLUX™ CONVENTIONAL SLIDE RAIL

- Available in chrome & PVD finishes
- Stainless steel, single function handpiece
- Supplied with Aerlux™ jets
- 870mm slide rail (max 820mm c-c)
- 1.5m hose



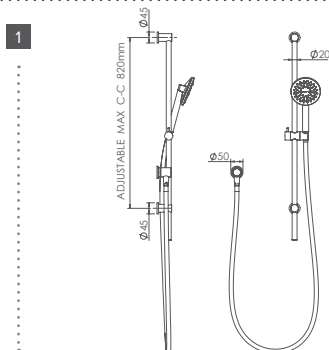



 9.0 L/min

FINISH	PRODUCT CODE
 CHROME	THDRC
 BRUSHED GOLD	THDRBG
 BLACK	THDRMB
 BRUSHED NICKEL	THDRBN
 BRUSHED GUNMETAL	THDRGM
 BRUSHED BRONZE	THDRBBZ
 BLACK/GLOSS BLACK	THDRMB-GB



► **COLOUR CUSTOMISATION AVAILABLE** PLEASE ENQUIRE FOR DETAILS.



TATE AERLUX™ SINGLE SPRAY SLIDE SHOWER BRUSHED NICKEL (LEFT) & TATE DIVERTER MIXER BRUSHED NICKEL/BLACK (RIGHT)







NEW RAIN HEAD DESIGN

1 TATE RAIN COLUMN

- Available in chrome & PVD finishes
- Stainless steel, single function handpiece
- Supplied with Aerlux™ jets for mains pressure situations
- Brass shower column with brackets
- Top section pivotable
- Built in diverter to switch between rain head and handpiece
- Top entry G1/2 inch female inlet



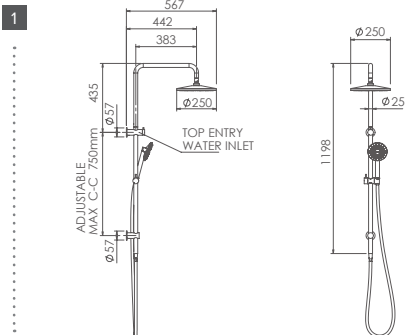
MP ★★ 10.0 L/min Rain head
MP ★★★ 9.0 L/min Handpiece

RAIN HEAD HANDPIECE

FINISH	PRODUCT CODE
CHROME	TRCC
BRUSHED GOLD	TRCBG
BLACK	TRCMB
BRUSHED NICKEL	TRCBN
BRUSHED GUNMETAL	TRCGM
BRUSHED BRONZE	TRCBBZ
BLACK/GLOSS BLACK	TRCMB-GB



► COLOUR CUSTOMISATION AVAILABLE PLEASE ENQUIRE FOR DETAILS.



TATE SMARTFLOW® DIGITAL SHOWER MIXER BRUSHED BRONZE &
TATE RAIN COLUMN BRUSHED BRONZE





1 TATE AERLUX™ SHOWER ROSE

- Available in chrome & PVD finishes
- Single function shower head
- Supplied with Aerlux™ jets for mains pressure situations
- G½ inch female thread arm

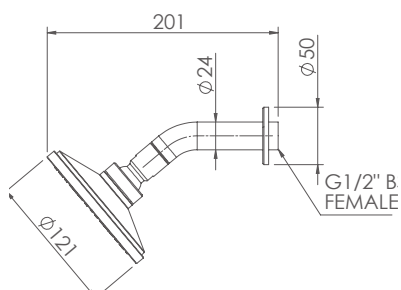


10.5 L/min
11.0 L/min

FINISH	PRODUCT CODE
 CHROME	TSRC
 BRUSHED GOLD	TSRBG
 BLACK	TSRMB
 BRUSHED NICKEL	TSRBN
 BRUSHED GUNMETAL	TSRGM
 BRUSHED BRONZE	TSRMB-GB
 BLACK/GLOSS BLACK	TSRBBZ

► COLOUR CUSTOMISATION AVAILABLE PLEASE ENQUIRE FOR DETAILS.

1



TATE AERLUX™ SHOWER ROSE BRUSHED BRONZE





NEW RAIN HEAD DESIGN

1 TATE RAIN HEAD CEILING MOUNTED

- Available in chrome & PVD finishes
- Available in 180mm or 300mm vertical reach (from flange to outlet)
- G½ inch female inlet threaded arm



Min 70kPa



TATE RAIN HEAD
CEILING MOUNTED 180MM

MP ★★ 10.5 L/min
LP ★ 12.5 L/min



TATE RAIN HEAD
CEILING MOUNTED 300MM

MP ★★ 10.5 L/min
LP ★★ 10.5 L/min

FINISH

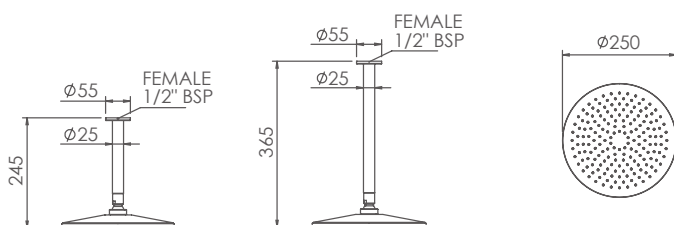
PRODUCT CODE

180MM 300MM

CHROME	TRHCMSC	TRHCMC
BRUSHED GOLD	TRHCMSBG	TRHCMBG
BLACK	TRHCMSMB	TRHCMMB
BRUSHED NICKEL	TRHCMSBN	TRHCMBN
BRUSHED GUNMETAL	TRHCMSGM	TRHCMGM
BRUSHED BRONZE	TRHCMSBBZ	TRHCMBBZ

► **COLOUR CUSTOMISATION AVAILABLE** PLEASE ENQUIRE FOR DETAILS.

1





NEW RAIN HEAD DESIGN

1 TATE RAIN HEAD WALL MOUNTED 450MM

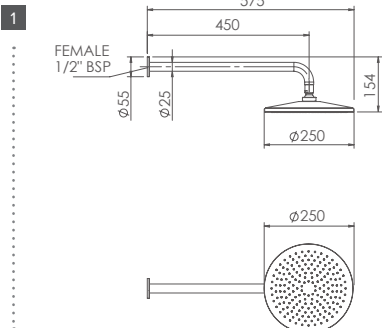
- Available in chrome & PVD finishes
- 450mm horizontal reach (from flange to outlet)
- G½ inch female inlet threaded arm

					MP ★★	10.5 L/min
					LP ★	14.5 L/min

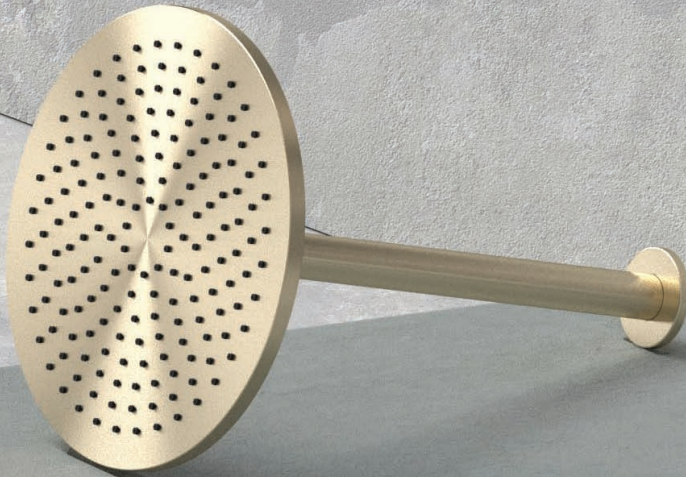
Min 70kPa

FINISH	PRODUCT CODE
CHROME	TRHVMC
BRUSHED GOLD	TRHWMBG
BLACK	TRHWMMB
BRUSHED NICKEL	TRHWMBN
BRUSHED GUNMETAL	TRHWMGM
BRUSHED BRONZE	TRHWMBBZ

▶ **COLOUR CUSTOMISATION AVAILABLE** PLEASE ENQUIRE FOR DETAILS.



TATE RAIN HEAD IN DIFFERENT FINISH OPTIONS





TATE ACCESSORIES IN DIFFERENT FINISH OPTIONS





NEW

1 TATE TOILET ROLL HOLDER

- Available in chrome & PVD finishes
- Suitable for left or right handed installation
- Easy installation
- Double-screw mounting
- Manufactured from solid brass
- Designed in NZ



NEW

2 TATE ROBE HOOK

- Available in chrome & PVD finishes
- Easy installation
- Double-screw mounting
- Manufactured from solid brass
- Designed in NZ



NEW

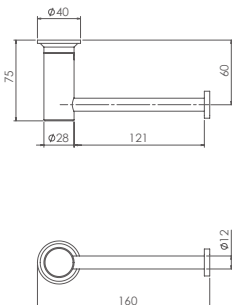
3 TATE HAND TOWEL

- Available in chrome & PVD finishes
- Easy installation
- Double-screw mounting
- Manufactured from solid brass
- Suitable for left or right handed installation
- Designed in NZ

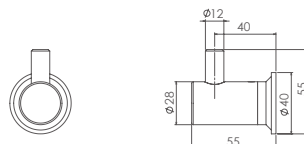


FINISH	PRODUCT CODE	PRODUCT CODE	PRODUCT CODE
	Tate Toilet Roll Holder	Tate Robe Hook	Tate Hand Towel
● CHROME	TTRHC	TRHC	TTHHC
● BRUSHED GOLD	TTRHBG	TRHBG	TTHBG
● BLACK	TTRHMB	TRHMB	TTHMB
● BRUSHED NICKEL	TTRHBN	TRHBN	TTHBN
● BRUSHED GUNMETAL	TTRHGM	TRHGM	TTHGM
● BRUSHED BRONZE	TTRHBZ	TRHBZ	TTHBZ
● BLACK/GLOSS BLACK	TTRHMB-GB	TRHMB-GB	TTHMB-GB

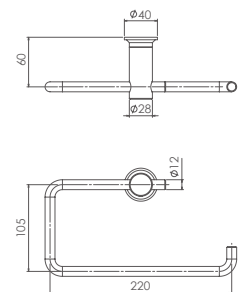
1



2



3



AXISS SMARTVIEW® DIGITAL SHOWER MIXER & AXISS RAIN COLUMN CHROME



AXISS

Functional, thoughtful and beautiful.

With its sleek and modern form inspired by organic curves,
Axis delivers a new level of usability and flexibility.

DIGITAL



**1 AXISS SMARTFLOW®
DIGITAL SHOWER MIXER**

FD-SFCSMC

- Digital thermostatic shower mixer
- LED lights indicate change in water temperature
- Three programmable memory settings for temperature and flow rate
- Programmable maximum run time
- Ambient light setting function
- Gradual temperature control



**2 AXISS SMARTVIEW®
DIGITAL SHOWER MIXER**

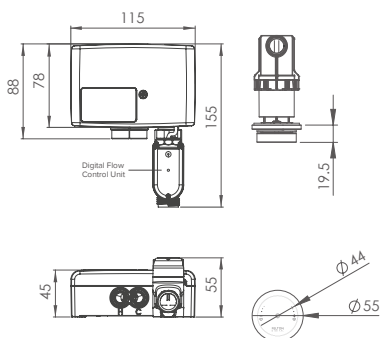
FD-SVCSMC

- Digital thermostatic shower mixer
- LED screen display
- Select between two water outlets
- Water consumption indicator per litre
- LED lights indicate change in water temperature
- Three programmable memory settings for temperature and flow rate
- Programmable maximum run time
- Gradual temperature control



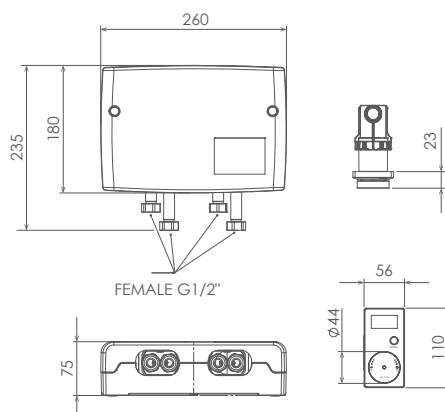
1

FD-SFCSMC



2

FD-SVCSMC



DIGITAL**AXISS SMARTFLOW® DIGITAL MIXER**

The Axis Smartflow® digital mixer is as simple to use as any regular shower mixer. Designed to ensure safety first, the digital mixer provides LED colour temperature change, three memory settings, gradual temperature control and an ambient light setting function.

**FEATURES & BENEFITS:**

- LED lights indicate change in water temperature
- Three programmable memory settings for temperature and flow rate
- Programmable maximum run time
- Ambient light setting function
- Gradual temperature control

TURNING THE MIXER ON/OFF

Press the mixer once to turn on. The Smartflow® mixer will light up. Press the mixer again to turn off.

**ADJUSTING THE TEMPERATURE**

Turn the mixer clockwise for hot water and anti-clockwise for cold water.

**ADJUSTING THE FLOW**

Press, hold and turn the mixer anti-clockwise to decrease flow and clockwise to increase flow.



To find out more about our digital products, please visit our website www.felton.co.nz/digital

DIGITAL

AXISS SMARTVIEW® DIGITAL MIXER

The Axiss Smartview® digital mixer features an LED screen which displays all your settings including current temperature and actual water usage. It features LED lights that indicate change in water temperature, three programmable memory settings for temperature and flow rate, a programmable maximum run time, gradual temperature control and a battery back up.



FEATURES & BENEFITS:

- LED screen display
- Select between two water outlets
- Water consumption indicator per litre
- LED lights indicate change in water temperature
- Three programmable memory settings for temperature and flow rate
- Programmable maximum run time
- Gradual temperature control

TURNING THE MIXER ON/OFF

Press the mixer once to turn on. The Smartview® mixer will light up. Press the mixer again to turn off.



ADJUSTING THE TEMPERATURE

Turn the mixer clockwise for hot water and anti-clockwise for cold water.



COLD



WARM



HOT

ADJUSTING THE FLOW

Press, hold and turn the mixer anti-clockwise to decrease flow and clockwise to increase flow.



DECREASE FLOW



INCREASE FLOW

To find out more about our digital products, please visit our website www.felton.co.nz/digital



1 AXISS II BASIN MIXER

- 25mm quality European cartridge
- Designed in NZ

2 AXISS II SINK MIXER

- 35mm quality European cartridge with anti-scald and flow limiter
- 360° swivel spout
- Designed in NZ

FINISH	PRODUCT CODE
● CHROME	AX2BMC
● BLACK	AX2BMB

FINISH	PRODUCT CODE
● CHROME	AXSMC
● BLACK	AXSMB
● BRUSHED NICKEL	AXSMM


MP ★★★★★ 7.0 L/min
LP ★★★★★ 5.0 L/min







Except chrome

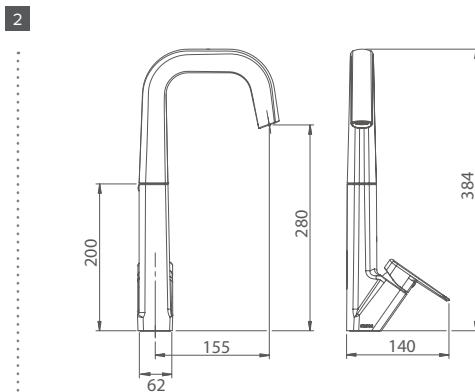
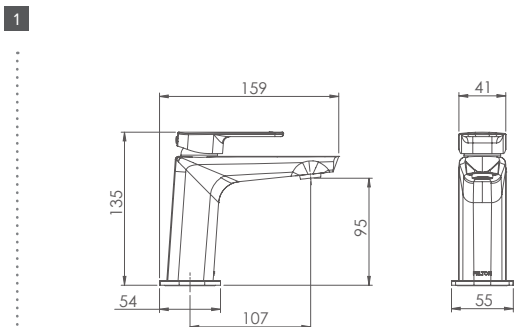

MP ★★★★★ 7.5 L/min
LP ★★★★★ 6.5 L/min







Except chrome



AXISS SINK MIXER BRUSHED NICKEL

AXISS





1 AXISS II MAINS PRESSURE SHOWER MIXER

- Quality metal faceplate
- 35mm quality European cartridge
- Designed & assembled in NZ

2 AXISS II DIVERTER SHOWER MIXER

- Switch between two water outlets
- 35mm quality European cartridge
- Designed in NZ

FINISH	PRODUCT CODE
● CHROME	AX2CSMC
● BLACK	AX2CSMB

FINISH	PRODUCT CODE
● CHROME	AX2FDCSMC
● BLACK	AX2FDCSMB

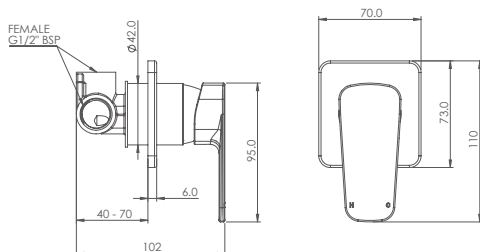


Except chrome

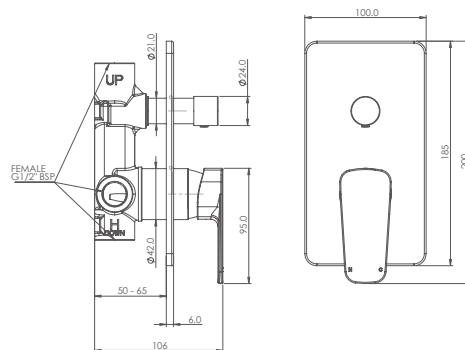


Except chrome

1



2



AXISS II SLIDE SHOWER CHROME &
AXISS II MAINS PRESSURE SHOWER MIXER CHROME



NEW & IMPROVED ENGINE TECHNOLOGY

1 AXISS II FUSION PLUS® SHOWER MIXER

- Supplied with venturi jets for unequal pressures
- Full front of wall maintenance - ideal for future mains pressure upgrade
- Proprietary Felton F5 cartridge with anti-scald and flow limiter
- Designed & assembled in NZ

FINISH

PRODUCT CODE



CHROME

AX2FSPSCMC



BLACK

AX2FSPCSMB

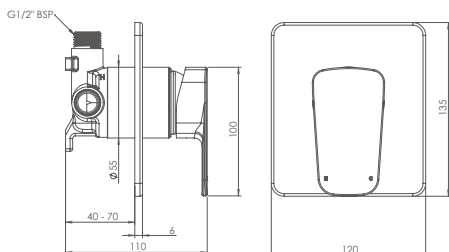
Patented New Zealand No. 605175



Except chrome



1



AXISS WALL MOUNTED SWIVEL BASIN/BATH MIXER 40MM BLACK





**1 AXISS WALL MOUNTED BASIN/
BATH MIXER 40MM**

- 40mm quality European cartridge with anti-scald and flow limiter
- Designed & assembled in NZ

**2 AXISS WALL MOUNTED SWIVEL BASIN/
BATH MIXER 40MM**

- 40mm quality European cartridge with anti-scald and flow limiter
- 180° swivel spout
- Designed & assembled in NZ

FINISH	PRODUCT CODE
● CHROME	AXBFC
● BLACK	AXBFB

FINISH	PRODUCT CODE
● CHROME	AXSBFC
● BLACK	AXSBFB

WELS **MP ★★★★★** 7.5 L/min
LP ★★★★★ 7.0 L/min
 (when installed as basin mixer)

↓ ↓ ↓
 ALL*
 PRESSURES
AP

↓ ↓ ↓
 EQUAL**
 PRESSURE
EP

10
 YEARS
 WARRANTY

LIFE
 TIME
 EXTENSION

5
 YEARS
 LIMITED
 WARRANTY
 PRODUCT
 FINISH

Except chrome

*All pressures when installed as basin mixer
 **Equal pressure only when installed as bath mixer

WELS **MP ★★★★★** 7.5 L/min
LP ★★★★★ 6.5 L/min
 (when installed as basin mixer)

↓ ↓ ↓
 ALL*
 PRESSURES
AP

↓ ↓ ↓
 EQUAL**
 PRESSURE
EP

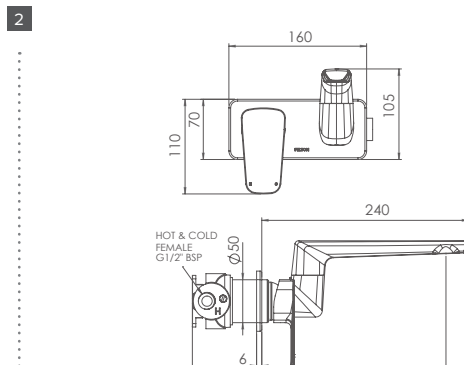
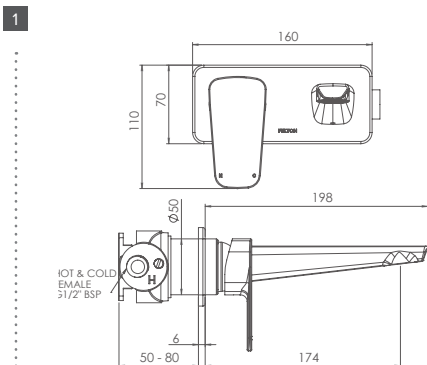
10
 YEARS
 WARRANTY

LIFE
 TIME
 EXTENSION

5
 YEARS
 LIMITED
 WARRANTY
 PRODUCT
 FINISH

Except chrome

*All pressures when installed as basin mixer
 **Equal pressure only when installed as bath mixer





1 AXISS II WALL MOUNTED BASIN/ BATH MIXER 35MM

- 35mm quality European cartridge
- 174mm reach from wall to centre of outlet
- Pivoting aerator included
- Designed & assembled in NZ

2 AXISS II WALL MOUNTED SWIVEL BASIN/ BATH MIXER 35MM

- 35mm quality European cartridge
- 214mm reach from wall to centre of outlet
- Features 180° swivel spout & pivoting aerator included
- Ideal for kids' safety in bath while maximising space
- Designed & assembled in NZ

FINISH	PRODUCT CODE	
	RIGHT-HANDED	LEFT-HANDED
● CHROME	AX2BFC	AX2BFC-LH
● BLACK	AX2BFB	AX2BFB-LH

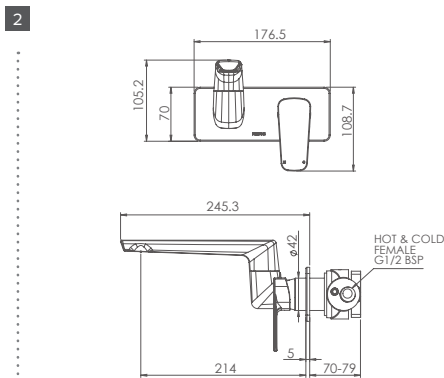
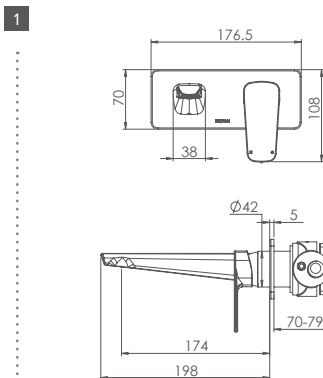
FINISH	PRODUCT CODE	
	RIGHT-HANDED	LEFT-HANDED
● CHROME	AX2SBFC	AX2SBFC-LH
● BLACK	AX2SBFB	AX2SBFB-LH

WELS MP ★★ ★ 8.0 L/min
(when installed as basin mixer)

Except chrome

WELS MP ★★ ★ 7.5 L/min
(when installed as basin mixer)

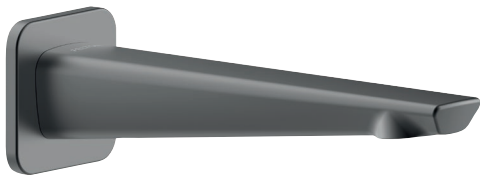
Except chrome



AXISS II WALL MOUNTED BASIN/BATH MIXER 35MM CHROME

AXISS





1 AXISS II BATH SPOUT 1/2"

- 180mm reach from wall to centre of outlet
- G½ inch female threaded inlet
- Easy-fit installation
- Pivoting aerator included
- Designed in NZ

2 AXISS II SWIVEL BATH SPOUT 1/2"

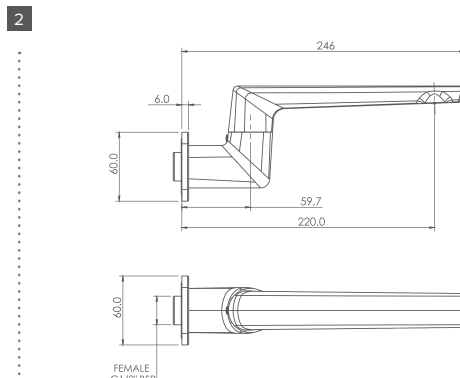
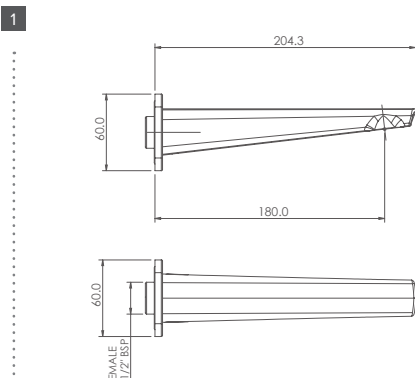
- 220mm reach from wall to centre of outlet
- Features 180° swivel spout & pivoting aerator included
- Ideal for kids' safety in bath while maximising space
- G½ inch female thread inlet
- Easy-fit installation
- Designed in NZ

FINISH	PRODUCT CODE
● CHROME	AX2BSC
● BLACK	AX2BSB

FINISH	PRODUCT CODE
● CHROME	AX2BSSC
● BLACK	AX2BSSB

Except chrome

Except chrome





1 AXISS RAIN HEAD CEILING MOUNTED

- Available in 180mm or 300mm vertical reach (from flange to outlet)
- 1/2 inch female thread

2 AXISS RAIN HEAD WALL MOUNTED

- 450mm horizontal reach (from flange to outlet)
- 1/2 inch female thread

FINISH PRODUCT CODE

	180MM	300MM
● CHROME	AXRHCMSC	AXRHCMC
● BLACK	AXRHCMSB	AXRHCMCB

FINISH PRODUCT CODE

● CHROME	AXRHWMC
● BLACK	AXRHWMB

180mm

WELS MP ★★★ 7.0 L/min
LP ★★ 11.0 L/min

300mm

WELS MP ★★★ 7.5 L/min
LP ★★ 11.5 L/min



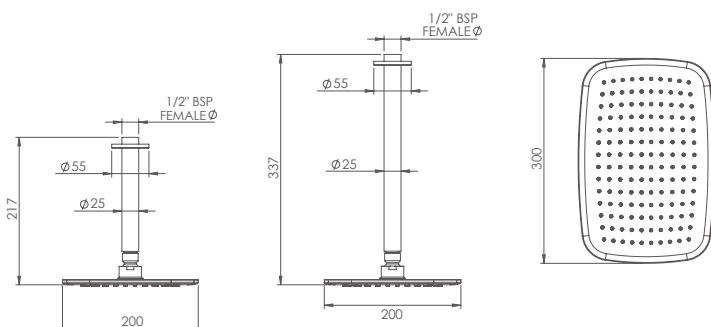
Min 35kPa

WELS MP ★★★ 7.5 L/min
LP ★★ 12.0 L/min

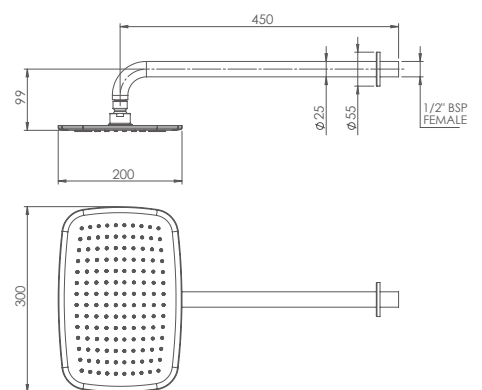


Min 35kPa

1



2



AXISS RAIN SHOWER COLUMN BLACK





1 AXISS II SINGLE SPRAY SLIDE SHOWER

- Single function handpiece
- 730mm slide rail (685mm c-c)

2 AXISS RAIN SHOWER COLUMN

- Brass shower column with brackets
- Built-in diverter to switch between rain head and handpiece


FINISH	PRODUCT CODE
● CHROME	AX2HSKCSR
● BLACK	AX2HSKCSRB

FINISH	PRODUCT CODE
● CHROME	AXRSCC
● BLACK	AXRSCB


MP ★★ 9.5 L/min
LP ★★ 9.5 L/min





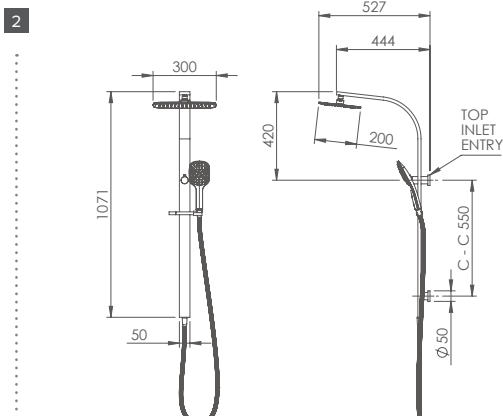
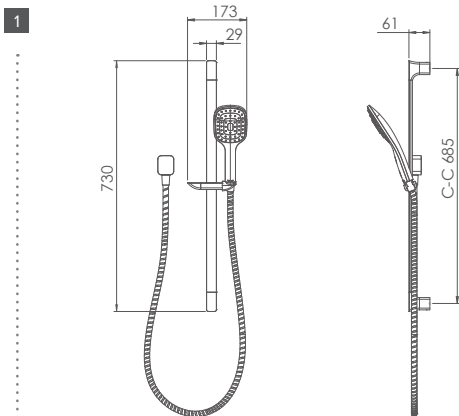


MP ★★★ 7.5 L/min Rain head
MP ★★★ 8.0 L/min Handpiece







RAIN HEAD HANDPIECE



LINEA PULL OUT SINK MIXER BRUSHED NICKEL



LINEA

Clean and minimalist in design, Linea complements modern
bathrooms and kitchens.



NEW

1 LINEA BASIN MIXER

- Available in chrome & PVD finishes
- 40mm quality European cartridge
- Designed in NZ

FINISH	PRODUCT CODE
● CHROME	LBMC
● BLACK	LBMB
● BRUSHED NICKEL	LBMBN

WELS MP ★★★★★ 7.0 L/min
LP ★★★★★ 7.0 L/min

ALL PRESSURES AP
 10 YEARS WARRANTY
 LIFE TIME EXTENSION
 5 YEARS LIMITED WARRANTY PRODUCT FINISH

Except chrome



NEW

2 LINEA SINK MIXER

- Available in chrome & PVD finishes
- 40mm quality European cartridge
- 360° swivel spout
- Watermark certified
- Designed in NZ

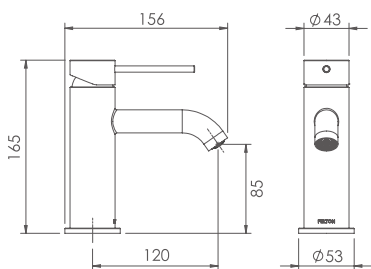
FINISH	PRODUCT CODE
● CHROME	LSMC
● BLACK	LSMB
● BRUSHED NICKEL	LSMBN

WELS MP ★★★★★ 6.5 L/min
LP ★★★★★ 6.5 L/min

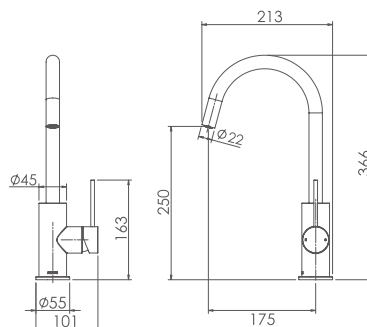
ALL PRESSURES AP
 10 YEARS WARRANTY
 LIFE TIME EXTENSION
 5 YEARS LIMITED WARRANTY PRODUCT FINISH

Except chrome

1



2





NEW

1 LINEA PULL OUT SINK MIXER

- Available in chrome & PVD finishes
- Single function pull out spray
- 35mm quality European cartridge with anti-scald and flow limiter
- 360° swivel spout
- **Not for commercial use**

FINISH PRODUCT CODE

● CHROME	LSMC01
● BRUSHED NICKEL	LSMBN01

WELS MP ★★★★★ 6.5 L/min



Except chrome



NEW

2 LINEA SPRING SINK MIXER

- Available in chrome & PVD finishes
- Pull down spout with dual function spray and jet
- Features an integrated magnet holder for docking spray nozzle
- Ideal for washing vegetables, cleaning dishes or harder to reach areas
- 360° swivel spout
- 35mm quality European cartridge with anti-scald and flow limiter
- **Not for commercial use**

FINISH PRODUCT CODE

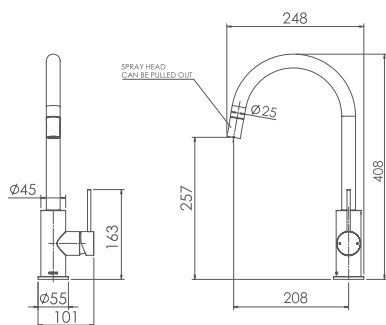
● CHROME	LSMC02
● BRUSHED NICKEL	LSMBN02

WELS MP ★★★★★ 6.0 L/min

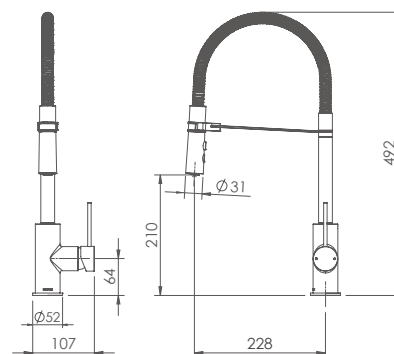


Except chrome

1



2





NEW

1 LINEA MAINS PRESSURE SHOWER MIXER

- 35mm quality European cartridge
- Available in chrome & PVD finishes
- Designed & assembled in NZ

FINISH	PRODUCT CODE
● CHROME	LCSMC
● BLACK	LCSMB
● BRUSHED NICKEL	LCSMBN

Except chrome

NEW

2 LINEA FUSION PLUS® SHOWER MIXER

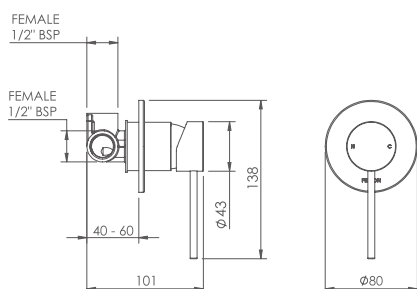
- Available in chrome & PVD finishes
- Supplied with venturi jets for unequal pressures
- Full front of wall maintenance. Ideal for future mains pressure upgrade
- Proprietary Felton F5 cartridge with anti-scald and flow limiter
- Designed and assembled in NZ

FINISH	PRODUCT CODE
● CHROME	LFSPSCMC
● BLACK	LFSPSCMB
● BRUSHED NICKEL	LFSPSCMBN

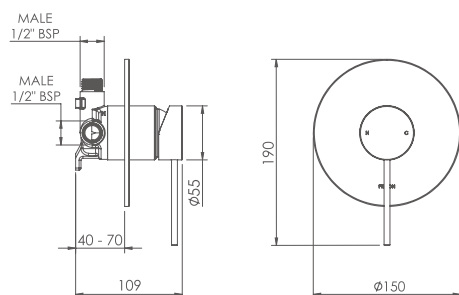
Patented New Zealand No. 605175

Except chrome

1



2



LINEA WALL MOUNTED BASIN/BATH MIXER BRUSHED NICKEL





NEW

1 LINEA WALL MOUNTED BASIN/BATH MIXER

- Available in chrome & PVD finishes
- 35mm quality European cartridge
- Suitable for left or right-handed installation
- Designed and assembled in NZ

FINISH	PRODUCT CODE
● CHROME	LBFC
● BLACK	LBFB
● BRUSHED NICKEL	LBFBN

WELS MP ★★★★★ 6.5 L/min

Except chrome



NEW

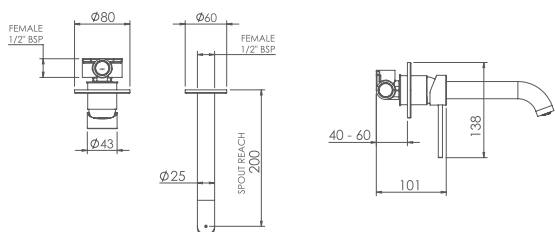
2 LINEA BATH SPOUT

- Available in chrome & PVD finishes
- 200mm reach (from flange to spout)
- 1/2 inch female thread
- Designed in NZ

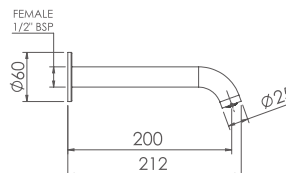
FINISH	PRODUCT CODE
● CHROME	LBSC
● BLACK	LBSB
● BRUSHED NICKEL	LBSBN

Except chrome

1



2





NEW

1 LINEA AERLUX™ SHOWER ROSE

- Available in chrome & PVD finishes
- Single function shower head
- Shower aperture 38mm²
- Supplied with Aerlux™ jets for mains pressure situations
- G½ inch female thread arm

FINISH	PRODUCT CODE
● CHROME	LSRC
● BLACK	LSRB
● BRUSHED NICKEL	LSRBN

WELS MP ★★ 10.5 L/min
LP ★★ 11.0 L/min

ALL PRESSURES AP 38mm² SHOWER APERTURE 5 YEARS WARRANTY



NEW

2 LINEA RAIN COLUMN

- Available in chrome & PVD finishes
- Single function shower head
- Supplied with Aerlux™ jets
- Brass shower column with brackets
- Top section pivotable
- Built in diverter to switch between rain head and handpiece
- Top entry G1/2 inch female inlet

FINISH	PRODUCT CODE
● CHROME	LRSCC
● BLACK	LRSCB
● BRUSHED NICKEL	LRSCBN

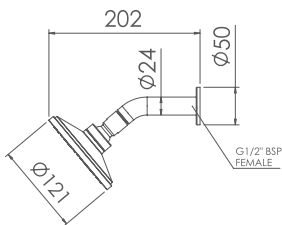
FINISH	RAIN HEAD	HANDPIECE
● CHROME	MP ★★ 10.0 L/min	MP ★★ 9.5 L/min
● BLACK	MP ★★ 10.0 L/min	MP ★★ 9.5 L/min
● BRUSHED NICKEL	MP ★★ 10.0 L/min	MP ★★ ★ 9.0 L/min



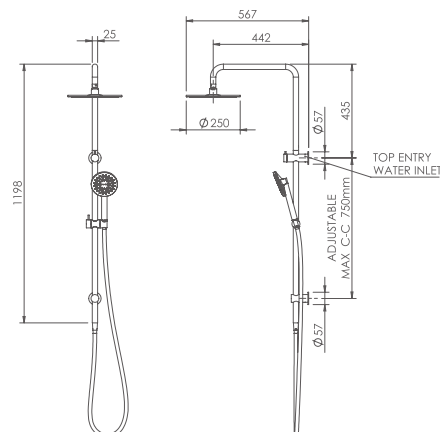
EQUAL HIGH (MAINS) PRESSURE MP 171mm² SHOWER APERTURE 38mm² SHOWER APERTURE 5 YEARS WARRANTY

RAIN HEAD HANDPIECE

1



2





NEW

1 LINEA AERLUX™ SINGLE SPRAY SLIDE SHOWER

- Available in chrome & PVD finishes
- Single function handpiece
- Shower aperture 38mm²
- Supplied with Aerlux™ jets for mains pressure situation
- 770mm slide rail (max 672mm c-c)
- 1.5m hose

FINISH	PRODUCT CODE
--------	--------------

● CHROME	LHSKCSRC
● BLACK	LHSKCSRB
● BRUSHED NICKEL	LHSKCSRBN

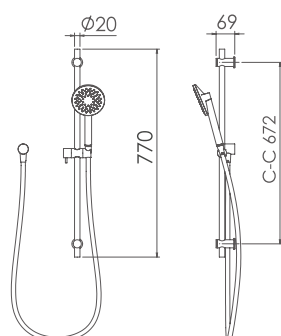
FINISH	MAINS PRESSURE	LOW PRESSURE
--------	----------------	--------------

● CHROME	MP ★★ 10.0 L/min	LP ★★ 9.5 L/min
● BLACK	MP ★★ 9.5 L/min	LP ★★★ 9.0 L/min
● BRUSHED NICKEL	MP ★★ 9.5 L/min	LP ★★★ 9.0 L/min

WELS



1



LINEA AERLUX™ SINGLE SPRAY SLIDE SHOWER BRUSHED NICKEL &
LINEA MAINS PRESSURE SHOWER MIXER BRUSHED NICKEL

BEX ALL PRESSURE PULL DOWN SPRINKLER MIXER BRUSHED NICKEL/BLACK



FELTON COLLECTION

Classic and minimalist tapware that can be paired with products from our ranges, or those already installed in your bathroom or kitchen.



1 06 SMALL SINK MIXER

06MSSMC

- 40mm quality European cartridge with anti-scald and flow limiter
- 360° swivel spout
- Designed in NZ

WELS **MP** ★★★★★ 6.5 L/min
LP ★★★ 8.5 L/min



2 06 SINK MIXER

06MSMC

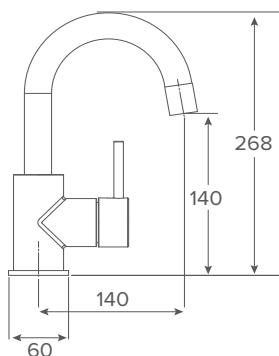
- 40mm quality European cartridge with anti-scald and flow limiter
- 360° swivel spout
- Designed in NZ

WELS **MP** ★★★★★ 6.5 L/min
LP ★★★ 8.5 L/min



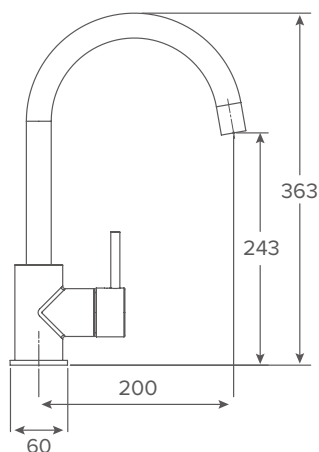
1

06MSSMC



2

06MSMC





1 BEX ALL PRESSURE PULL DOWN SINK MIXER

C-SMC01

- Pull down spring action
- Single spray function
- 35mm quality European cartridge with anti-scald and flow limiter
- Handle stops in 90° position
- 360° swivel spout
- Designed in NZ
- **Not for commercial use**

WELS MP ★★★★★ 7.0 L/min
LP ★★★★★ 6.5 L/min



2 BEX ALL PRESSURE PULL DOWN SINK MIXER CHROME/BLACK

C-SMC02

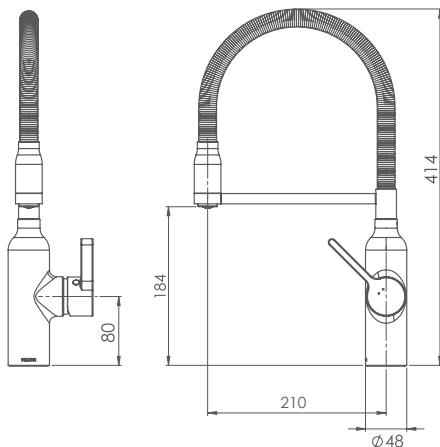
- Pull down spring action
- Single spray function
- 35mm quality European cartridge with anti-scald and flow limiter
- Handle stops in 90° position
- 360° swivel spout
- Designed in NZ
- **Not for commercial use**

WELS MP ★★★★★ 7.0 L/min
LP ★★★★★ 6.5 L/min



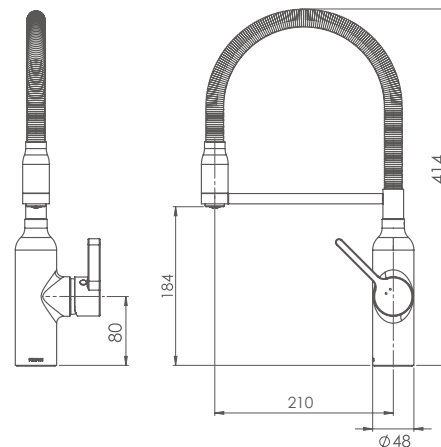
1

C-SMC01



2

C-SMC02





1 BEX ALL PRESSURE PULL DOWN SINK MIXER BRUSHED NICKEL/BLACK

C-SMC03

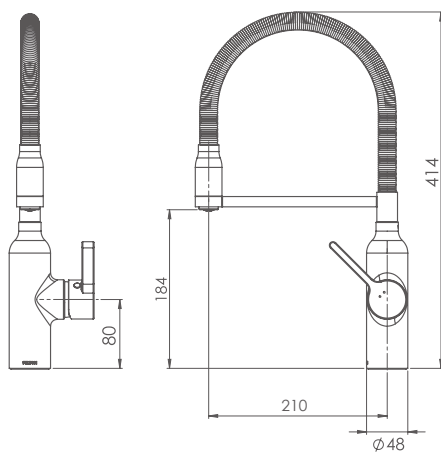
- Pull down spring action
- Single spray function
- 35mm quality European cartridge with anti-scald and flow limiter
- Handle stops in 90° position
- 360° swivel spout
- Designed in NZ
- **Not for commercial use**

WELS **MP** ★★★★★ 7.0 L/min
LP ★★★★★ 6.5 L/min

<p>ALL PRESSURES AP</p>	<p>10 YEARS WARRANTY</p>	<p>LIFE TIME EXTENSION</p>	<p>5 YEARS LIMITED WARRANTY PRODUCT FINISH</p>
------------------------------------	---	------------------------------------	---

1

C-SMC03





**1 LUNA BATH FILLER
FREE STANDING SPOUT**

C-BFSC01

- Floor mounted
- Suitable for mounting on both concrete and wooden floors



**2 LUNA BATH FILLER
FREE STANDING SPOUT BLACK**

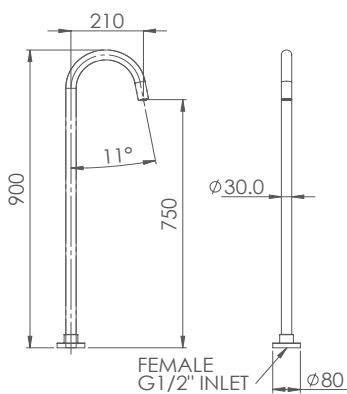
C-BFSB01

- Floor mounted
- Black finish
- Suitable for mounting on both concrete and wooden floors



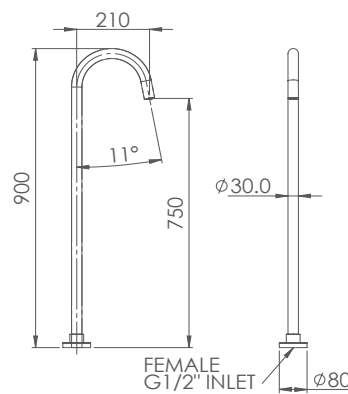
1

C-BFSC01



2

C-BFSB01





1 ELLA SHOWER ROSE 01

C-SHC01

- Single function shower head
- G 1/2 inch BSP female thread arm

WELS MP ★★ LP ★★ 10.0 L/min
 9.5 L/min

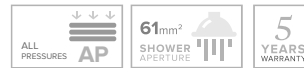


2 MAX SINGLE SPRAY SLIDE SHOWER

MXHSKCSR

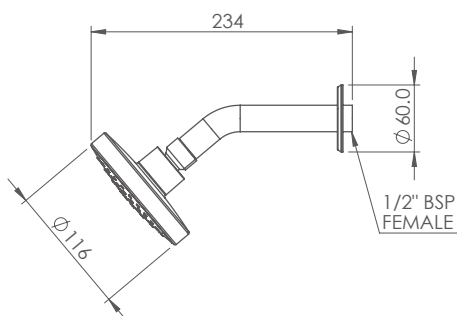
- Top entry inlet adjustable wet rail
- Single function handpiece
- 870mm slide rail (max 820mm c-c)
- Connects to slide rail without a separate outlet to elbow

WELS MP ★★★ LP ★★★ 8.0 L/min
 6.0 L/min



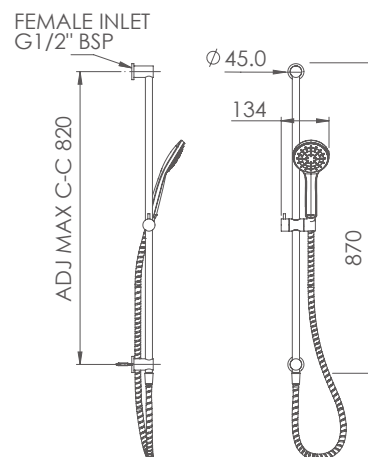
1

C-SHC01



2

MXHSKCSR





U R B A N

The Urban range reflects the current trend for square and rectangular shapes. Sharp lines are balanced with soft edges for a timeless appeal.



1 URBAN II BASIN MIXER

U2BMC

- 35mm quality European cartridge with anti-scald and flow limiter
- Designed in NZ

WELS MP ★★★★★ 6.5 L/min
LP ★★★ 7.0 L/min



2 URBAN SHOWER MIXER

UFCSMC

- 40mm quality European cartridge with anti-scald and flow limiter
- Designed and assembled in NZ



NEW & IMPROVED ENGINE TECHNOLOGY

3 URBAN FUSION PLUS® SHOWER MIXER

UFSPSCMC

- Supplied with venturi jets for unequal pressure
- Full front of wall maintenance - ideal for future mains pressure upgrade
- Proprietary Felton F5 cartridge with anti-scald and flow limiter
- Designed and assembled in NZ

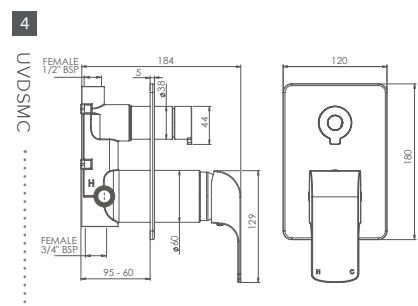
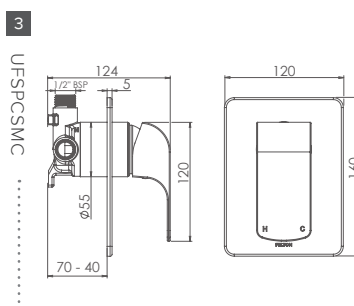
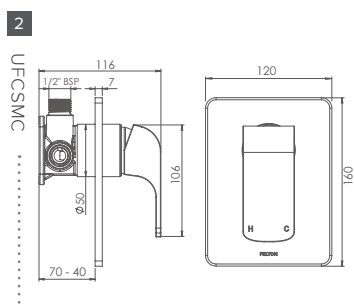
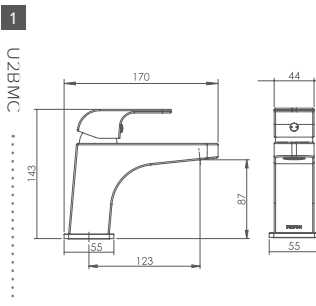
Patented New Zealand No. 605175



4 URBAN VERSADISC® BATH SHOWER DIVERTER MIXER

UVDSMC

- Includes two interchangeable sub-cartridges
- Full front of wall maintenance. Ideal for future mains pressure upgrade
- Quality metal faceplate & German made diverter headworks
- Switch between two water outlets
- Proprietary Felton F5 cartridge with anti-scald and flow limiter





1 URBAN BATH SPOUT 1/2"

UBSC

- 1/2 inch male thread
- Easy-fit installation
- Designed in NZ



2 URBAN II SINGLE SPRAY SLIDE SHOWER

U2HSKCSRW (WHITE ROSE)

U2HSKCSRG (GUNMETAL ROSE)

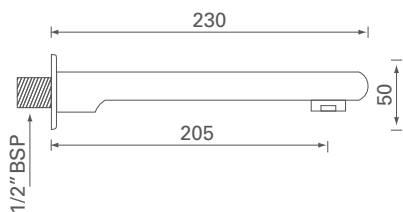
- Single function handpiece
- Handpiece face available in two different colours - gunmetal and white
- 1.5m large bore EN1113 rated brass hose

WELS MP ★★ 9.5 L/min
LP ★★★ 7.5 L/min



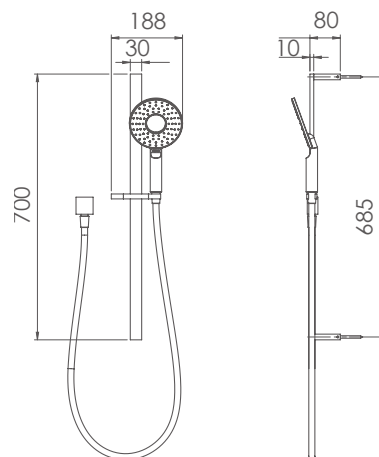
1

UBSC



2

U2HSKCSRW/U2HSKCSRG





1 URBAN RAIN HEAD CEILING MOUNTED

URHCMSC (180mm)
URHCMC (300mm)

- Available in 180mm or 300mm vertical reach (from flange to outlet)
- 1/2 inch female thread

URHCMSC (180mm)



MP ★★★ 7.0 L/min
LP ★★★ 7.5 L/min

URHCMC (300mm)



MP ★★★ 7.5 L/min
LP ★★★ 7.5 L/min



Min 70kPa

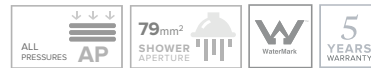
2 URBAN RAIN HEAD WALL MOUNTED

URHWMC (450mm)

- 450mm horizontal reach (from flange to outlet)
- 1/2 inch female thread

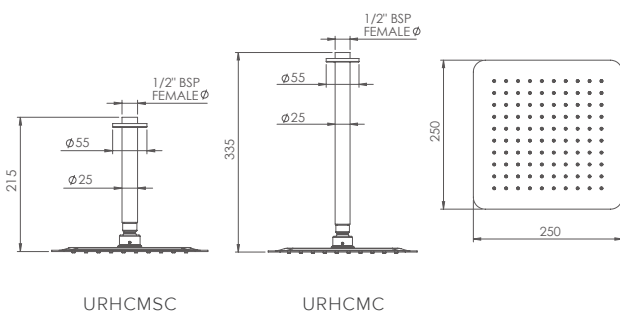


MP ★★★ 7.0 L/min
LP ★★★ 7.5 L/min



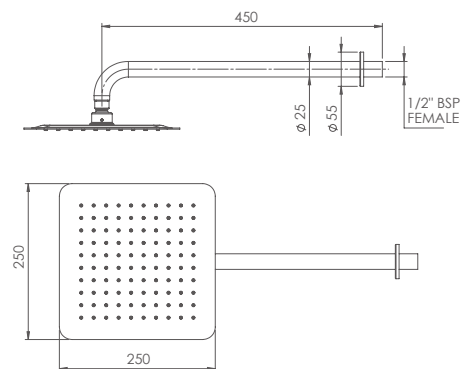
Min 70kPa

1



2

URHWMC



QUE BASIN MIXER BLACK



Q U E

Inspired by contemporary curves and soft square designs, the Que range adds elegance to any bathroom.



1 QUE BASIN MIXER

- 25mm quality European cartridge
- Designed in NZ

2 QUE II SINK MIXER

- 35mm quality European cartridge
- 360° swivel spout
- Designed in NZ

FINISH	PRODUCT CODE
● CHROME	QBMC
● BLACK	QBMB
● BRUSHED NICKEL	QBMBN

FINISH	PRODUCT CODE
● CHROME	Q2SMC
● BLACK	Q2SMB
● BRUSHED NICKEL	Q2SMBN


MP ★★★★★ 7.0 L/min
LP ★★★★★ 5.5 L/min


MP ★★★★★ 7.0 L/min
LP ★★★★★ 6.5 L/min





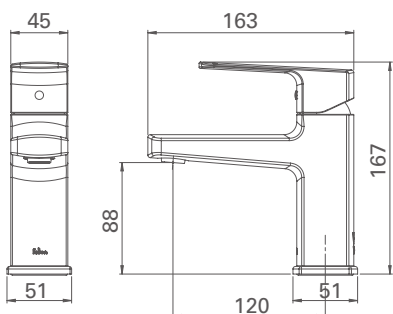

Except chrome



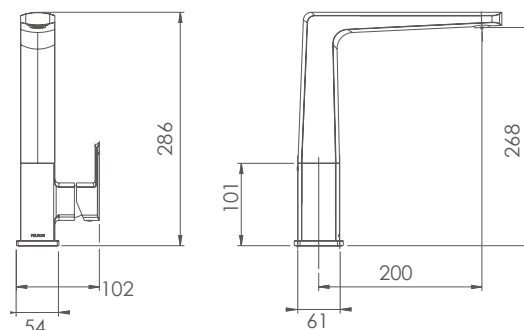



Except chrome

1



2





NEW & IMPROVED ENGINE TECHNOLOGY

1 QUE SHOWER MIXER

- 40mm quality European cartridge with anti-scald and flow limiter
- Designed and assembled in NZ

2 QUE FUSION PLUS® SHOWER MIXER

- Supplied with venturi jets for unequal pressures
- Full front of wall maintenance - ideal for future mains pressure upgrade
- Proprietary Felton F5 cartridge with anti-scald and flow limiter
- Designed and assembled in NZ

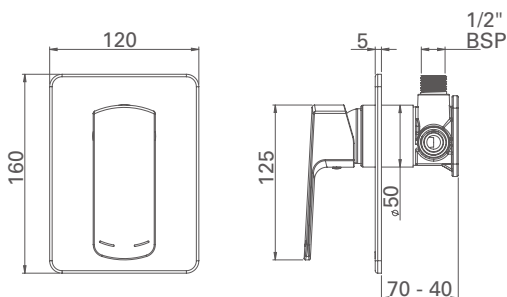
FINISH	PRODUCT CODE
● CHROME	QFCSMC
● BLACK	QFCSMB
● BRUSHED NICKEL	QFCSMBN

FINISH	PRODUCT CODE
● CHROME	QFSPSCMC
● BLACK	QFSPSCMB
● BRUSHED NICKEL	QFSPSCMBN

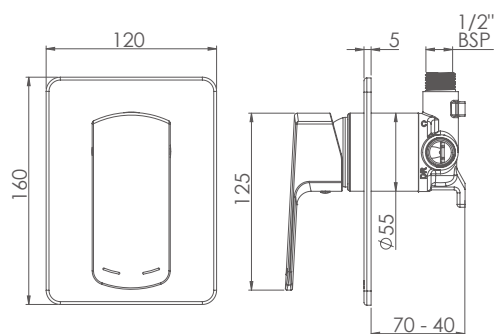
Except chrome

Except chrome

1



2





1 QUE VERSADISC® DIVERTER BATH SHOWER MIXER

- 40mm quality European cartridge with anti-scald and flow limiter
- Designed and assembled in NZ

2 QUE BATH SPOUT 1/2"

- 165mm reach from wall to centre of outlet
- G½ inch female thread inlet
- Easy-fit installation
- Designed in NZ

FINISH	PRODUCT CODE
● CHROME	QVDSMC
● BRUSHED NICKEL	QVDSMBN

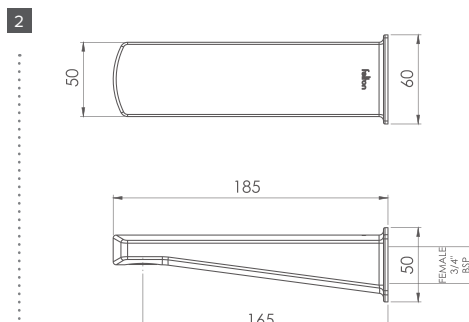
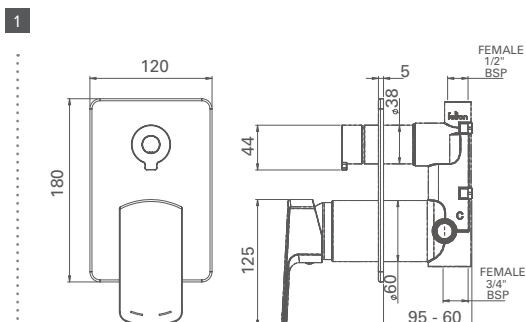
FINISH	PRODUCT CODE
● CHROME	QBSC
● BLACK	QBSB
● BRUSHED NICKEL	QBSBN



Except chrome



Except chrome



QUE II SINK MIXER BRUSHED NICKEL





QUE II SINGLE SPRAY SLIDE SHOWER BRUSHED NICKEL



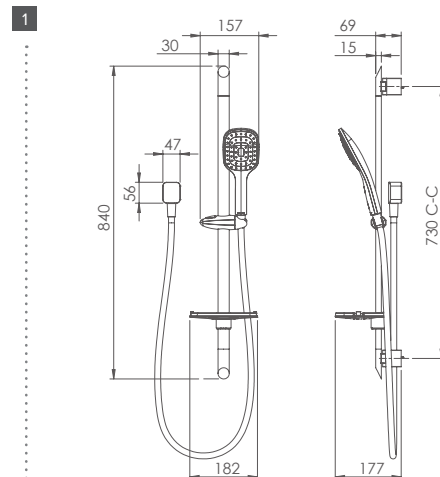
1 QUE II SINGLE SPRAY SLIDE SHOWER

- Single function handpiece
- 840mm pivoting slide rail (731mm c-c)

FINISH	PRODUCT CODE
● CHROME	Q2HSKCSR
● BLACK	Q2HSKCSRB
● BRUSHED NICKEL	Q2HSKCSRBN


MP ★★ 10.0 L/min
LP ★★ 10.5 L/min

 ALL PRESSURES	 AP	 54mm ² SHOWER APERTURE	 5 YEARS WARRANTY
---	---	---	--





1 QUE RAIN HEAD CEILING MOUNTED

- Available in 180mm or 300mm vertical reach (from flange to outlet)
- 1/2 inch female thread

2 QUE RAIN HEAD WALL MOUNTED

- 450mm horizontal reach (from flange to outlet)
- 1/2 inch female thread

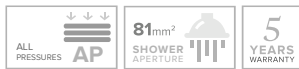
FINISH PRODUCT CODE

	180MM	300MM
● CHROME	QRHCMSC	QRHCMC
● BLACK	QRHCM5B	QRHCM5B

FINISH PRODUCT CODE

● CHROME	QRHWMC
● BLACK	QRHWMB

WELS MP ★★★ 7.5 L/min
LP ZERO STAR RATED



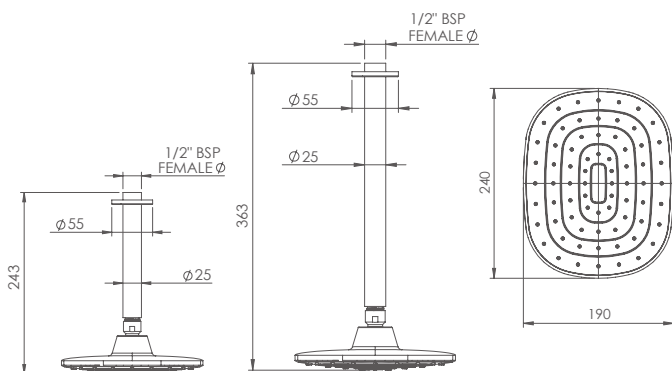
Min 70kPa

WELS MP ★★★ 7.5 L/min
LP ZERO STAR RATED

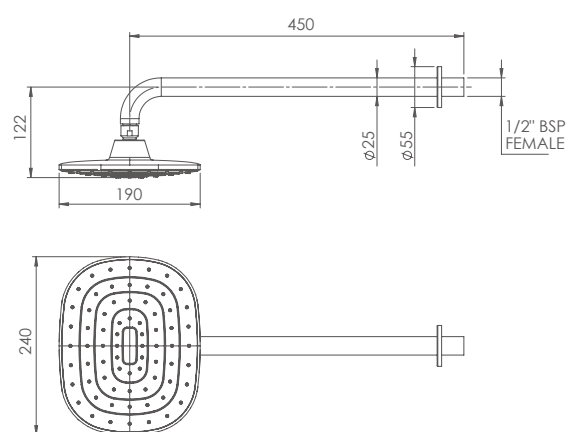


Min 70kPa

1



2



QUE RAIN HEAD CEILING MOUNTED 300MM BLACK &
QUE SHOWER MIXER BLACK



SLIQUE TALL BASIN MIXER CHROME



SLIQUE

The Slique range embodies a soft square aesthetic with a refined and contemporary twist on the classic look.



1 SLIQUE BASIN MIXER

SBMC

- 25mm quality European cartridge

WELS MP ★★★★★ 6.5 L/min
LP ★★★★★ 5.5 L/min



2 SLIQUE TALL BASIN MIXER

STBMC

- 25mm quality European cartridge
- Designed in NZ

WELS MP ★★★★★ 6.5 L/min
LP ★★★★★ 5.0 L/min



3 SLIQUE SINK MIXER

SSMC

- 35mm quality European cartridge with anti-scald and flow limiter
- 360° swivel spout

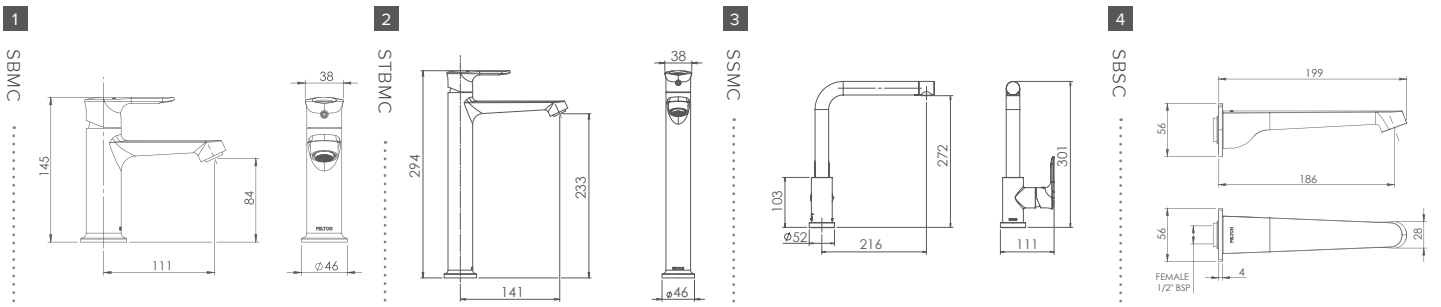
WELS MP ★★★ 8.0 L/min
LP ★★★★★ 6.5 L/min



4 SLIQUE BATH SPOUT

SBSC

- ½ inch female thread
- Easy-fit installation
- Designed in NZ



SLIQUE WALL MOUNTED BASIN/BATH MIXER CHROME





NEW

1 SLIQUE MAINS PRESSURE SHOWER MIXER

SCSCMC

- 35mm quality European cartridge
- Designed & assembled in NZ



NEW & IMPROVED ENGINE TECHNOLOGY

2 SLIQUE FUSION PLUS® SHOWER MIXER

SFSPSCMC

- Supplied with venturi jets for unequal pressures
- Full front of wall maintenance - ideal for future mains pressure upgrade
- Quality metal faceplate
- Proprietary Felton F5 cartridge with anti-scald and flow limiter
- Designed and assembled in NZ

Patented New Zealand No. 605175



3 SLIQUE DIVERTER MIXER

SDSCMC

- 35mm quality European cartridge with anti-scald and flow limiter
- Switch between two water outlets



4 SLIQUE WALL MOUNTED BASIN/BATH MIXER

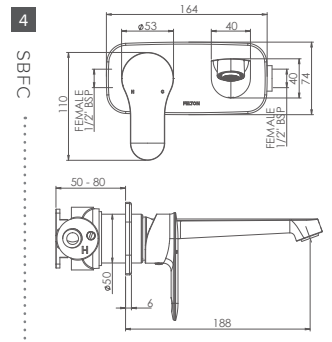
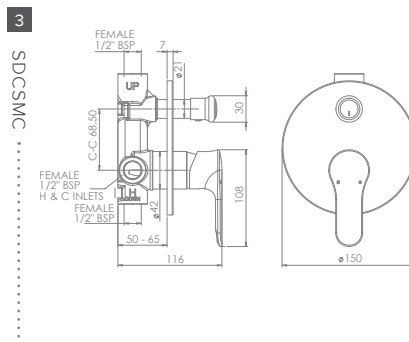
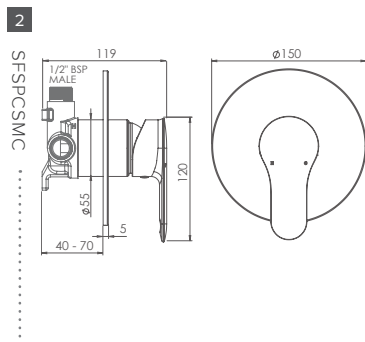
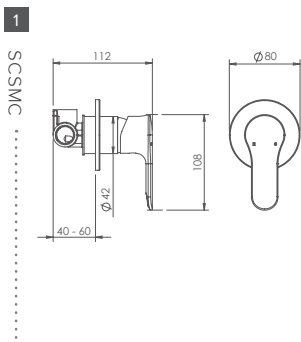
SBFC

- 40mm quality European cartridge with anti-scald and flow limiter
- Designed and assembled in NZ

WELS MP ★★★★★ 7.0 L/min
 LP ★★★★★ 7.0 L/min



*All pressures when installed as basin mixer
 **Equal pressure only when installed as bath mixer



HALO

Minimalist forms with clean, elegant lines designed to complement the modern kitchen or bathroom.



HALO BASIN MIXER

HBMC



HALO SINK MIXER

HSMC



HALO II SINGLE SPRAY SLIDE SHOWER

H2HSKCSRW (WHITE ROSE)
H2HSKCSR (GUNMETAL ROSE)



HALO II RAIN SHOWER COLUMN

H2RSCC (TOP ENTRY)
HRSCC (BOTTOM)



WELS MP ★★★★★ 7.0 L/min
LP ★★★★★ 7.0 L/min

WELS MP ★★★★★ 6.5 L/min
LP ★★★ 8.5L/min

WELS MP ★★ 9.5 L/min
LP ★★★★★ 7.5 L/min

H2RSCC MP ★★★★★ 7.5 L/min
HRSCC MP ★★★★★ 9.0 L/min Rain head
MP ★★★★★ 7.5 L/min MP ★★★★★ 9.0 L/min Handpiece



HALO SHOWER MIXER

HMCSMC Ø120mm regular faceplate
HMCSMCL Ø195mm large faceplate



NEW & IMPROVED ENGINE TECHNOLOGY
HALO FUSION PLUS® SHOWER MIXER

HFSPCSMC Ø150mm regular faceplate
HFSPCSMCL Ø195mm large faceplate

Patented New Zealand No. 605175



HALO BATH SPOUT

06BSC



HALO RAIN HEAD CEILING MOUNTED

HRHCMSC (180mm)
HRHCMC (300mm)

WELS MP ★★★ 7.5 L/min
LP ★★ 11.5L/min



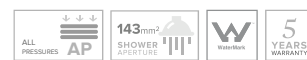
Min 70kPa



HALO RAIN HEAD WALL MOUNTED

HRHWMC (450mm)

WELS MP ★★★ 7.5 L/min
LP ★ 12.5L/min



Min 70kPa

HALO II SINGLE SPRAY SLIDE SHOWER (GUNMETAL ROSE)

HALO



ODYSSEY SHOWER MIXER Ø195MM CHROME



H

felton

ODYSSEY

Affordable, yet without compromise on quality, Odyssey is a classic style with an emphasis on flowing curves and organic shapes.

ODYSSEY



ODYSSEY BASIN MIXER 35MM

OCBM

WELS MP ★★★★★ 6.5 L/min
LP ★★★★★ 7.5 L/min



ODYSSEY BASIN MIXER 40MM

OCBM2

WELS MP ★★★★★ 7.5 L/min
LP ★★★ 8.5 L/min



ODYSSEY SWIVEL BASIN MIXER

OSBMC

WELS MP ★★★★★ 7.0 L/min
LP ★★★ 9.0 L/min



ODYSSEY SINK MIXER 40MM

OSM2

WELS MP ★★★★★ 7.0 L/min
LP ★★★ 9.0 L/min



ODYSSEY SHOWER MIXER

OCSMC Ø120mm regular faceplate
OCSMCL Ø195mm large faceplate



NEW & IMPROVED ENGINE TECHNOLOGY

ODYSSEY FUSION PLUS® SHOWER MIXER

OFSPSCMC Ø150mm regular faceplate
OFSPSCMCL Ø195mm large faceplate

Patented New Zealand No. 605175



ODYSSEY BATH SPOUT 3/4"

OBSC



ODYSSEY II SINGLE SPRAY SLIDE SHOWER

O2CHSKCSR

WELS MP ★★ 10.5 L/min
LP ★ 13.0 L/min



ODYSSEY II HAND SHOWER KIT

O2HSKC

WELS MP ★★ 10.0 L/min
LP ★★ 12.0 L/min



CITY

The City range of classic kitchen, bathroom and laundry taps are manufactured from DZR brass and fitted with quality German headworks for superior performance and durability.



CITY BASIN TAP (PAIR)

CBSTC

WELS **MP ZERO STAR RATED** 61.0 L/min
LP ZERO STAR RATED 25.0 L/min



CITY SINK TAP 15MM (PAIR)

CSTC

WELS **MP ZERO STAR RATED** 61.0 L/min
LP ZERO STAR RATED 25.0 L/min



CITY BATH TAP 20MM (PAIR)

CBTC

WELS **MP ZERO STAR RATED** 61.0 L/min
LP ZERO STAR RATED 25.0 L/min



CITY LAUNDRY COMBINATION (PAIR)

CLCTC

WELS **MP ZERO STAR RATED** 61.0 L/min
LP ZERO STAR RATED 25.0 L/min



CITY WASHING MACHINE TAPS (PAIR)

CLSC

WELS **MP ZERO STAR RATED** 61.0 L/min
LP ZERO STAR RATED 25.0 L/min



CITY TUB TAP (PAIR)

CTTC

WELS **MP ZERO STAR RATED** 61.0 L/min
LP ZERO STAR RATED 25.0 L/min



CITY WALL MOUNTED SINK FAUCET

CWMSTC

WELS **MP ZERO STAR RATED** 44.0 L/min
LP ★ 15.5 L/min



CITY SINK TAP 15MM CHROME (PAIR)

CITY



FELTON CARE

A classic and practical range with its extended lever handle that offers ease of use, greater temperature control and smooth operation for a more controlled water flow rate.



FELTON CARE SINK MIXER

FCSMC


MP ★★★★★ 7.0 L/min
LP ★★★ 9.0 L/min



FELTON CARE BASIN MIXER

FCBMC


MP ★★★★★ 7.0 L/min
LP ★★ 9.5 L/min



FELTON CARE SHOWER MIXER

FCCSMC

N.B. Larger faceplate option available on request



FELTON CARE BASIN MIXER CHROME

FELTON CARE



DESIGNER III FELTONMIX® WALLSET CHROME GREY



DESIGNER

The Designer range centres around the Feltonmix® shower mixer, the first shower mixer to successfully apply the Venturi principle to mix hot and cold water supplied at different pressures. Trusted by New Zealand plumbers and homeowners for more than 50 years, the Feltonmix® continues to prove its reliability and performance time and time again

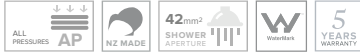


Mixing valve not included

DESIGNER III FELTONMIX® WALLSET WHITE

D3WSW

WELS MP ★★★ 8.0 L/min
LP ★★★ 9.0 L/min

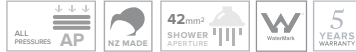


Mixing valve not included

DESIGNER III FELTONMIX® WALLSET CHROME GREY

D3WSCG

WELS MP ★★★ 8.0 L/min
LP ★★★ 9.0 L/min



Unequal pressure mixing valve included



DESIGNER III FELTONMIX® TRADE COMBO UNEQUAL PRESSURE WHITE

D3SCUW

WELS LP ★★★ 9.0 L/min



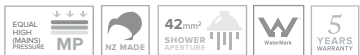
Equal high pressure mixing valve included



DESIGNER III FELTONMIX® TRADE COMBO EQUAL HIGH PRESSURE CHROME GREY

D3SCHCG

WELS MP ★★★ 8.0 L/min

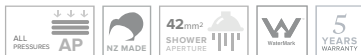


NB: Not to be fitted into Feltonmix® Mixing Valve

DESIGNER III SHOWER HEAD CHROME GREY DELUXE

D3SHCGD

WELS MP ★★★ 7.0 L/min
LP ★★★ 9.0 L/min



MIXING VALVE INCLUDED



DESIGNER REGAL OVER THE BATH SHOWER UNIT

RW / RWE / RWH

WELS MP ★★★ 7.5 L/min
LP ★★ 12.0 L/min

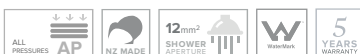


Mixing valve not included

DESIGNER II FELTONMIX® WALLSET CHROME

CWSD2

WELS MP ★★★ 7.5 L/min
LP ★★ 12.0 L/min

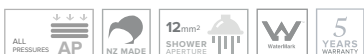


Mixing valve not included

DESIGNER II FELTONMIX® WALLSET WHITE

WWSD2

WELS MP ★★★ 7.5 L/min
LP ★★ 12.0 L/min



MIXING VALVE INCLUDED



DESIGNER SURFACE MOUNT PACK

WSMP

WELS MP ★★★ 7.5 L/min
LP ★★ 12.0 L/min





DESIGNER II SHOWER HEAD CHROME

CSHD2

WELS MP ★★★ LP★★ 7.5 L/min
12.0 L/min



'86 SHOWER HEAD WHITE

WSH

WELS MP ★★★ LP★ 7.0 L/min
14.0 L/min



DESIGNER II SHOWER HEAD WHITE

WSHD2

WELS MP ★★★ LP★★ 7.5 L/min
12.0 L/min



DESIGNER II SINGLE SPRAY SLIDE SHOWER

D2HSKCSR

WELS MP★★ LP★★★ 9.5 L/min
7.5 L/min



DESIGNER II FLEXISHOWER CHROME

D2FSCCSR

WELS MP★★ LP★★★ 9.5 L/min
7.5 L/min



MIXING VALVE INCLUDED



VARIABLE SHOWER HEAD WHITE

WSHV

WELS MP★★★ LP★★ 7.0 L/min
11.0 L/min



DESIGNER '86 FELTONMIX® MIXING VALVE EQUAL HIGH PRESSURE (PINK)

FMH



DESIGNER '86 FELTONMIX® MIXING VALVE UNEQUAL PRESSURE (BLUE)

FMU



DESIGNER '86 FELTONMIX® MIXING VALVE EQUAL LOW PRESSURE (GREEN)

FME





**BEST DESIGN AWARDS
FINALIST 2013**
SUSTAINABLE PRODUCT DESIGN



OXIJET®

WATER SAVING TECHNOLOGY

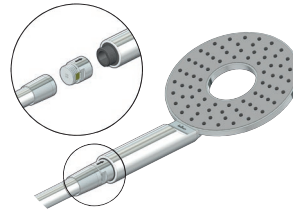
The Oxijet® works by jetting the water through 4 tiny nozzles, and sucking air into the stem of the shower rose. The air volumises and pressurises the water, creating tiny air bubbles within the water stream that burst when they touch your skin. In many mains pressure situations the Oxijet® will pay for itself in water and energy savings, and help you do your part to preserve our beautiful planet.



YELLOW
TO FIT A SHOWER HANDPIECE
TP0114



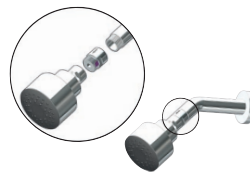
WELS MP ★★★ 8.5 L/min



PINK
TO FIT A FEMALE FIXED ROSE
TP0115



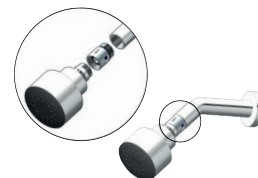
WELS MP ★★★ 8.5 L/min



BLUE
TO FIT A MALE FIXED ROSE
TP0116



WELS MP ★★★ 8.5 L/min



C A T E G O R I E S

Products at a glance

Whether in a low, high or unequal pressure environment, Felton's extensive range includes the iconic Feltonmix® mixer, the award winning Fusion Plus® full front-of-wall maintenance technology. Fancy a low water bill? Have a look at the patented Oxijet® water saving product for a water efficient yet luxurious experience.

From the classic look and feel of the Odyssey range to the innovation and functionality of the Axiss & Tate ranges, we've got the perfect option for your lifestyle and decor.



Digital Products



TATE SMARTFLOW® DIGITAL SHOWER MIXER

AVAILABLE IN 7 FINISHES

MAINS PRESSURE

PG 15



AXISS SMARTFLOW® DIGITAL SHOWER MIXER

FD-SFCSCMC

MAINS PRESSURE

PG 53



AXISS SMARTVIEW® DIGITAL SHOWER MIXER

FD-SVCSMC (WHITE)

MAINS PRESSURE

PG 53



AXISS SMARTVIEW® DIGITAL SHOWER MIXER

FD-SVCSMC (BLACK)

MAINS PRESSURE

PG 53



TATE DIGITAL WALL MOUNTED MIXER (180MM)

AVAILABLE IN 7 FINISHES

MAINS PRESSURE

PG 18



TATE DIGITAL WALL MOUNTED MIXER (220MM)

AVAILABLE IN 7 FINISHES

MAINS PRESSURE

PG 18



TATE DIGITAL DECK MOUNTED MIXER

AVAILABLE IN 7 FINISHES

MAINS PRESSURE

PG 19

Accessories



TATE TOILET ROLL HOLDER

AVAILABLE IN 7 FINISHES

PG 51



TATE ROBE HOOK

AVAILABLE IN 7 FINISHES

PG 51



TATE HAND TOWEL HOLDER

AVAILABLE IN 7 FINISHES

PG 51

Kitchen & Laundry

SINK MIXERS



TATE DIGITAL DECK MOUNTED MIXER

AVAILABLE IN 7 FINISHES

MAINS PRESSURE

PG 19



TATE SINK MIXER

AVAILABLE IN 12 FINISHES

MAINS PRESSURE

PG 21

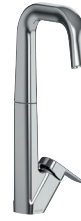


TATE DECK MOUNTED MIXER

AVAILABLE IN 12 FINISHES

MAINS PRESSURE

PG 27



AXISS SINK MIXER

AVAILABLE IN 3 FINISHES

ALL PRESSURES

PG 56



LINEA SINK MIXER

AVAILABLE IN 3 FINISHES

ALL PRESSURES

PG 69



LINEA PULL OUT SINK MIXER

AVAILABLE IN 2 FINISHES

MAINS PRESSURE

PG 70
NOT FOR COMMERCIAL USE



LINEA SPRING SINK MIXER

AVAILABLE IN 2 FINISHES

MAINS PRESSURE

PG 70
NOT FOR COMMERCIAL USE



O6 SMALL SINK MIXER

O6MSSMC

ALL PRESSURES

PG 77



O6 SINK MIXER

O6MSMC

ALL PRESSURES

PG 77



BEX ALL PRESSURE PULL DOWN SINK MIXER

AVAILABLE IN 3 FINISHES

ALL PRESSURES

PG 78
NOT FOR COMMERCIAL USE



QUE II SINK MIXER

AVAILABLE IN 3 FINISHES

ALL PRESSURES

PG 87



SLIQUE SINK MIXER

SSMC

ALL PRESSURES

PG 97



HALO SINK MIXER

HSMC

ALL PRESSURES

PG 100



ODYSSEY SINK MIXER 40MM

OSM2

ALL PRESSURES

PG 103



FELTON CARE SINK MIXER

FCSMC

ALL PRESSURES

PG 106

Kitchen & Laundry

SINK TAPS



CITY WALL MOUNTED SINK FAUCET

CWMSTC

ALL PRESSURES

PG 104



CITY SINK TAP 15MM

CSTC

ALL PRESSURES

PG 104

BATH TAPS / BASIN TAPS



CITY BATH TAP 20MM

CBTC

ALL PRESSURES

PG 104



CITY BASIN TAP

CBSTC

ALL PRESSURES

PG 104

LAUNDRY TAPS



CITY LAUNDRY COMBINATION

CLCTC

ALL PRESSURES

PG 104



CITY WASHING MACHINE TAPS

CLSC

ALL PRESSURES

PG 104



CITY TUB TAP

CTTC

ALL PRESSURES

PG 104

Bathroom

BASIN MIXERS



TATE BASIN MIXER

AVAILABLE IN 12 FINISHES

MAINS PRESSURE

PG 20



TATE DECK MOUNTED MIXER

AVAILABLE IN 12 FINISHES

MAINS PRESSURE

PG 27



AXISS II BASIN MIXER

AVAILABLE IN 2 FINISHES

ALL PRESSURES

PG 56



LINEA BASIN MIXER

AVAILABLE IN 3 FINISHES

ALL PRESSURES

PG 69



QUE BASIN MIXER

AVAILABLE IN 3 FINISHES

ALL PRESSURES

PG 87



URBAN II BASIN MIXER

U2BMC

ALL PRESSURES

PG 83



SLIQUE BASIN MIXER

SBMC

ALL PRESSURES

PG 97



SLIQUE TALL BASIN MIXER

STBMC

ALL PRESSURES

PG 97



HALO BASIN MIXER

HBMC

ALL PRESSURES

PG 100



ODYSSEY BASIN MIXER 35MM

OCBM

ALL PRESSURES

PG 103



ODYSSEY BASIN MIXER 40MM

OCBM2

ALL PRESSURES

PG 103



ODYSSEY SWIVEL BASIN MIXER

OSBMC

ALL PRESSURES

PG 103



FELTON CARE BASIN MIXER

FCBMC

ALL PRESSURES

PG 106

Bathroom

DIGITAL SHOWER MIXERS



TATE SMARTFLOW® DIGITAL SHOWER MIXER

AVAILABLE IN 7 FINISHES

MAINS PRESSURE

PG 15



AXISS SMARTFLOW® DIGITAL SHOWER MIXER

FD-SFCSCMC

MAINS PRESSURE

PG 53



AXISS SMARTVIEW® DIGITAL SHOWER MIXER

FD-SVCSMC (WHITE)

MAINS PRESSURE

PG 53



AXISS SMARTVIEW® DIGITAL SHOWER MIXER

FD-SVCSMC (BLACK)

MAINS PRESSURE

PG 53

FUSION PLUS® ALL PRESSURES SHOWER MIXERS



AXISS II FUSION PLUS® SHOWER MIXER

AVAILABLE IN 2 FINISHES

ALL PRESSURES

PG 59



LINEA FUSION PLUS® SHOWER MIXER

AVAILABLE IN 3 FINISHES

ALL PRESSURES

PG 71



URBAN FUSION PLUS® SHOWER MIXER

UFSPSCMC

ALL PRESSURES

PG 83



QUE FUSION PLUS® SHOWER MIXER

AVAILABLE IN 3 FINISHES

ALL PRESSURES

PG 88



SLIQUE FUSION PLUS® SHOWER MIXER

SFSPSCMC

ALL PRESSURES

PG 99



HALO FUSION PLUS® SHOWER MIXER 150MM

HFSPSCMC

ALL PRESSURES

PG 100



HALO FUSION PLUS® SHOWER MIXER 195MM

HFSPSCMCL

ALL PRESSURES

PG 100



ODYSSEY FUSION PLUS® SHOWER MIXER 120MM

OFSPSCMC

ALL PRESSURES

PG 103



ODYSSEY FUSION PLUS® SHOWER MIXER 195MM

OFSPSCMCL

ALL PRESSURES

PG 103

Bathroom

SHOWER MIXERS



TATE MAINS PRESSURE SHOWER MIXER

AVAILABLE IN 12 FINISHES

MAINS PRESSURE

PG 30



AXISS II MAINS PRESSURE SHOWER MIXER

AVAILABLE IN 2 FINISHES

MAINS PRESSURE

PG 58



LINEA MAINS PRESSURE SHOWER MIXER

AVAILABLE IN 3 FINISHES

MAINS PRESSURE

PG 71



URBAN SHOWER MIXER

UFCSMC

MAINS/EQUAL LOW PRESSURE

PG 83



QUE SHOWER MIXER

AVAILABLE IN 3 FINISHES

MAINS/EQUAL LOW PRESSURE

PG 88



SLIQUE MAINS PRESSURE SHOWER MIXER

SCSMC

MAINS PRESSURE

PG 99



HALO SHOWER MIXER 120MM

HMCSCM

MAINS/EQUAL LOW PRESSURE

PG 100



HALO SHOWER MIXER 195MM

HMCSCML

MAINS/EQUAL LOW PRESSURE

PG 100



ODYSSEY SHOWER MIXER 120MM

OCSMC

MAINS/EQUAL LOW PRESSURE

PG 103



ODYSSEY SHOWER MIXER 195MM

OCSMCL

MAINS/EQUAL LOW PRESSURE

PG 103



FELTON CARE SHOWER MIXER 120MM

FCCSMC

MAINS/EQUAL LOW PRESSURE

PG 106

Bathroom

DIVERTER SHOWER MIXERS



TATE DIVERter MIXER

AVAILABLE IN 12 FINISHES

MAINS PRESSURE

PG 32



AXISS II DIVERter SHOWER MIXER

AVAILABLE IN 2 FINISHES

MAINS PRESSURE

PG 58



URBAN VERSADISC® BATH SHOWER DIVERter MIXER

UVDSMC

ALL PRESSURES

PG 83



QUE VERSADISC® BATH SHOWER DIVERter MIXER

AVAILABLE IN 2 FINISHES

ALL PRESSURES

PG 89



SLIQUE MAINS PRESSURE DIVERter MIXER

SDCSMC

MAINS PRESSURE

PG 99

WALL MOUNTED BASIN/BATH MIXERS



TATE DIGITAL WALL MOUNTED MIXER (180MM)

AVAILABLE IN 7 FINISHES

MAINS PRESSURE

PG 18



TATE DIGITAL WALL MOUNTED MIXER (220MM)

AVAILABLE IN 7 FINISHES

MAINS PRESSURE

PG 18



TATE WALL MOUNTED BASIN/BATH MIXER (180MM)

AVAILABLE IN 12 FINISHES

MAINS PRESSURE

PG 25



TATE WALL MOUNTED BASIN/BATH MIXER

AVAILABLE IN 12 FINISHES

MAINS PRESSURE

PG 25



AXISS WALL MOUNTED BASIN/BATH MIXER 40MM

AVAILABLE IN 2 FINISHES

ALL PRESSURES

PG 61



AXISS WALL MOUNTED SWIVEL BASIN/BATH MIXER 40MM

AVAILABLE IN 2 FINISHES

ALL PRESSURES

PG 61



AXISS II WALL MOUNTED BASIN/BATH MIXER 35MM

AVAILABLE IN 2 FINISHES

MAINS PRESSURE

PG 62



AXISS II SWIVEL WALL MOUNTED SWIVEL BASIN/BATH MIXER 35MM

AVAILABLE IN 2 FINISHES

MAINS PRESSURE

PG 62



LINEA WALL MOUNTED BASIN/BATH MIXER

AVAILABLE IN 3 FINISHES

ALL PRESSURES

PG 73



SLIQUE WALL MOUNTED BASIN/BATH MIXER

SBFC

ALL PRESSURES

PG 99

Bathroom

BATH SPOUTS/BATH FILLERS



TATE DECK MOUNTED SPOUT

AVAILABLE IN 7 FINISHES

ALL PRESSURES

PG 28



TATE WALL MOUNTED SPOUT
1/2" (180MM)

AVAILABLE IN 7 FINISHES

ALL PRESSURES

PG 29



TATE WALL MOUNTED SPOUT
1/2" (220MM)

AVAILABLE IN 7 FINISHES

ALL PRESSURES

PG 29



AXISS II BATH SPOUT 1/2"

AVAILABLE IN 2 FINISHES

ALL PRESSURES

PG 64



AXISS II SWIVEL BATH SPOUT
1/2"

AVAILABLE IN 2 FINISHES

ALL PRESSURES

PG 64



LINEA BATH SPOUT 1/2"

AVAILABLE IN 3 FINISHES

ALL PRESSURES

PG 73



URBAN BATH SPOUT 1/2"

UBSC

ALL PRESSURES

PG 84



QUE BATH SPOUT 1/2"

AVAILABLE IN 3 FINISHES

ALL PRESSURES

PG 89



SLIQUE BATH SPOUT 1/2"

SBSC

ALL PRESSURES

PG 97



ODYSSEY BATH SPOUT 3/4"

OBSC

ALL PRESSURES

PG 103



HALO BATH SPOUT

06BSC

ALL PRESSURES

PG 100



LUNA BATH FILLER FREE
STANDING SPOUT

AVAILABLE IN 2 FINISHES

ALL PRESSURES

PG 80

Bathroom

FELTONMIX® SHOWERS



DESIGNER III FELTONMIX®
WALLSET WHITE

D3WSW

ALL PRESSURES

PG 109



DESIGNER III FELTONMIX®
WALLSET CHROME GREY

D3WSCG

ALL PRESSURES

PG 109



Unequal pressure mixing valve included

DESIGNER III FELTONMIX®
TRADE COMBO UNEQUAL PRESSURE WHITE

D3SCUW

UNEQUAL PRESSURE

PG 109



Equal high pressure mixing valve included

DESIGNER III FELTONMIX®
TRADE COMBO EQUAL HIGH PRESSURE CHROME GREY

D3SCHCG

MAINS PRESSURE

PG 109



DESIGNER II FELTONMIX®
WALLSET WHITE

WWSD2

ALL PRESSURES

PG 109



DESIGNER II FELTONMIX®
WALLSET CHROME

CWSD2

ALL PRESSURES

PG 109



DESIGNER '86 FELTONMIX®
MIXING VALVE EQUAL HIGH PRESSURE (PINK)

FMH

MAINS PRESSURE

PG 110



DESIGNER '86 FELTONMIX®
MIXING VALVE UNEQUAL PRESSURE (BLUE)

FMU

UNEQUAL PRESSURE

PG 110



DESIGNER '86 FELTONMIX®
MIXING VALVE EQUAL LOW PRESSURE (GREEN)

FME

LOW PRESSURE

PG 110



DESIGNER SURFACE MOUNT
PACK

WSMP

ALL PRESSURES

PG 109



DESIGNER REGAL OVER THE
BATH UNIT

RW / RWE / RWH

ALL PRESSURES

PG 109



Bathroom

RAIN HEADS



TATE RAIN HEAD CEILING MOUNTED (300MM)

AVAILABLE IN 6 FINISHES

ALL PRESSURE

min 70kPa

PG 46



TATE RAIN HEAD CEILING MOUNTED (180MM)

AVAILABLE IN 6 FINISHES

ALL PRESSURE

min 70kPa

PG 46



TATE RAIN HEAD WALL MOUNTED (450MM)

AVAILABLE IN 6 FINISHES

ALL PRESSURE

min 70kPa

PG 47



AXISS RAIN HEAD CEILING MOUNTED (300MM)

AVAILABLE IN 2 FINISHES

ALL PRESSURES

min 35kPa

PG 65



AXISS RAIN HEAD CEILING MOUNTED (180MM)

AVAILABLE IN 2 FINISHES

ALL PRESSURES

min 35kPa

PG 65



AXISS RAIN HEAD WALL MOUNTED (450MM)

AVAILABLE IN 2 FINISHES

ALL PRESSURES

min 35kPa

PG 65



URBAN RAIN HEAD CEILING MOUNTED (300MM)

URHCMC

ALL PRESSURES

min 70kPa

PG 85



URBAN RAIN HEAD CEILING MOUNTED (180MM)

URHCMC

ALL PRESSURES

min 70kPa

PG 85



URBAN RAIN HEAD WALL MOUNTED (450MM)

URHWC

ALL PRESSURES

min 70kPa

PG 85



QUE RAIN HEAD CEILING MOUNTED (300MM)

AVAILABLE IN 2 FINISHES

ALL PRESSURES

min 70kPa

PG 94



QUE RAIN HEAD CEILING MOUNTED (180MM)

AVAILABLE IN 2 FINISHES

ALL PRESSURES

min 70kPa

PG 94



QUE RAIN HEAD WALL MOUNTED (450MM)

AVAILABLE IN 2 FINISHES

ALL PRESSURES

min 70kPa

PG 94





HALO RAIN HEAD CEILING MOUNTED (300MM)

HRHCMC

ALL PRESSURES

min 70kPa

PG 100



HALO RAIN HEAD CEILING MOUNTED (180MM)

HRHCMSC

ALL PRESSURES

min 70kPa

PG 100



HALO RAIN HEAD WALL MOUNTED (450MM)

HRHWC

ALL PRESSURES

min 70kPa

PG 100



Bathroom

RAIN SHOWER COLUMNS

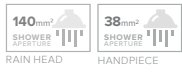


TATE RAIN COLUMN

AVAILABLE IN 7 FINISHES

MAINS PRESSURE

PG 42



AXISS RAIN SHOWER COLUMN

AVAILABLE IN 2 FINISHES

MAINS PRESSURE

PG 67

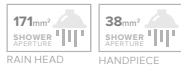


LINEA RAIN SHOWER COLUMN

AVAILABLE IN 3 FINISHES

MAINS PRESSURE

PG 74

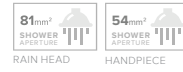


QUE II RAIN SHOWER COLUMN

AVAILABLE IN 2 FINISHES

MAINS PRESSURE

PG 92

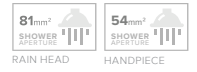


QUE RAIN SHOWER COLUMN

QRSCC

MAINS PRESSURE

PG 92

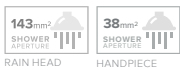


HALO II RAIN SHOWER COLUMN

H2RSCC

MAINS PRESSURE

PG 100

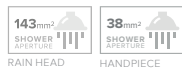


HALO RAIN SHOWER COLUMN

HRSCC

MAINS PRESSURE

PG 100



Bathroom

SLIDE SHOWERS

TOP ENTRY INLET



TATE AERLUX™ SINGLE SPRAY SLIDE SHOWER

AVAILABLE IN 7 FINISHES

MAINS PRESSURE

PG 38



TATE AERLUX™ CONVENTIONAL SLIDE RAIL

AVAILABLE IN 7 FINISHES

MAINS PRESSURE

PG 39



AXISS II SINGLE SPRAY SLIDE SHOWER CHROME

AVAILABLE IN 2 FINISHES

ALL PRESSURES

PG 67



LINEA AERLUX™ SINGLE SPRAY SLIDE SHOWER

AVAILABLE IN 3 FINISHES

MAINS PRESSURE

PG 75

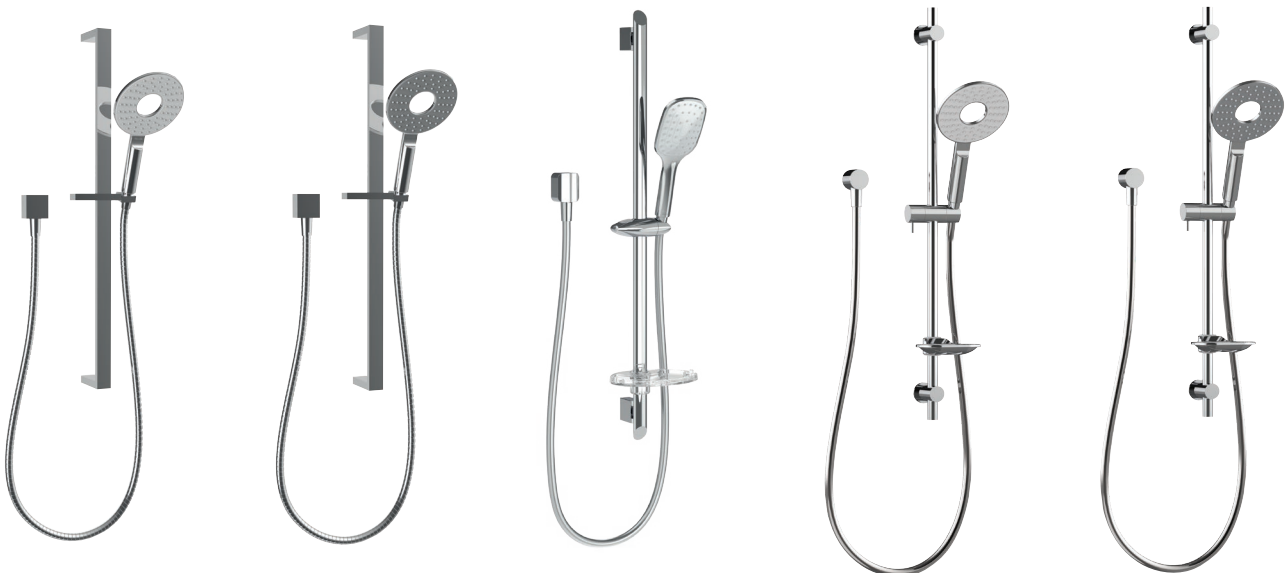


MAX SINGLE SPRAY SLIDE SHOWER

MXHSKCSR

ALL PRESSURE

PG 81



URBAN II SINGLE SPRAY SLIDE SHOWER (WHITE ROSE)

U2HSKCSRW

ALL PRESSURES

PG 84



URBAN II SINGLE SPRAY SLIDE SHOWER (GUNMETAL ROSE)

U2HSKCSRG

ALL PRESSURES

PG 84



QUE II SINGLE SPRAY SLIDE SHOWER

AVAILABLE IN 3 FINISHES

ALL PRESSURES

PG 92



HALO II SINGLE SPRAY SLIDE SHOWER (WHITE ROSE)

H2HSKCSRW

ALL PRESSURES

PG 100



HALO II SINGLE SPRAY SLIDE SHOWER (GUNMETAL ROSE)

H2HSKCSRG

ALL PRESSURES

PG 100



Bathroom

SLIDE SHOWERS (continued...)



ODYSSEY II SINGLE SPRAY
SLIDE SHOWER

O2CHSKCSR

ALL PRESSURES

PG 103



ODYSSEY II HAND SHOWER KIT

O2HSKC

ALL PRESSURES

PG 103



DESIGNER II SINGLE SPRAY
SLIDE SHOWER

D2HSKCSR

ALL PRESSURES

PG 110



DESIGNER II FLEXISHOWER
CHROME

D2FSCCSR

ALL PRESSURES

PG 110



SHOWER HEADS



TATE AERLUX™ SHOWER ROSE

AVAILABLE IN 7 FINISHES

ALL PRESSURES

PG 44



LINEA AERLUX™ SHOWER ROSE

AVAILABLE IN 3 FINISHES

ALL PRESSURES

PG 74



ELLA SHOWER ROSE 01

C-SHC01

ALL PRESSURES

PG 81



DESIGNER III SHOWER HEAD CHROME GREY DELUXE

D3SHCGD

ALL PRESSURES

PG 109



DESIGNER II SHOWER HEAD CHROME

CSHD2

ALL PRESSURES

PG 110



DESIGNER II SHOWER HEAD WHITE

WSHD2

ALL PRESSURES

PG 110



WSH

ALL PRESSURES

PG 110



VARIABLE SHOWER HEAD WHITE

WSHV

ALL PRESSURES

PG 110

OXIJET®



OXIJET® TO FIT SHOWER HANDPIECE (YELLOW)

TP0114

MAINS PRESSURE

PG 111



OXIJET® TO FIT FEMALE FIXED ROSE (PINK)

TP0115

MAINS PRESSURE

PG 111







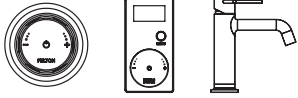
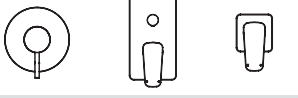
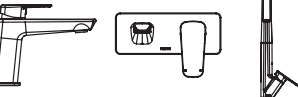


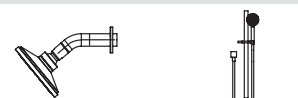

OXIJET® TO FIT MALE FIXED ROSE (BLUE)

TP0116

MAINS PRESSURE

PG 111

OUR WARRANTIES

PRODUCT CATEGORY	 Replacement parts only	 Replacement parts only	 Eligibility*	 Replacement parts only
 Digital Mixers Finishes	✓	✗	✗	✗
 Equal pressure (Flexidisc®) Mains pressures Fusion® Fusion Plus® Versadisc® Shower Mixers	✗	✓ 5 Years Plumber's Labour (Conditions Apply)	✓	✓
 Basin Mixers Basin Taps Sink Mixers Sink Taps Stop Cocks Bath Spouts & Fillers Laundry Taps	✗	✓ 5 Years Plumber's Labour (Conditions Apply)	✓	✓
 Oxijet® Water Saving Products	✗	✓	✗	✓
 Feltonmix® Shower Mixers	✓	✗	✗	✓
 Shower Heads Hand Showers Slide Showers Rain Columns	✓	✗	✗	✓
 Spare Parts & Accessories	✓	✗	✗	✗

*You must register the purchase and installation of the mixer by returning the completed warranty card to Felton within 6 months of the date of purchase. Full T&C available online - www.felton.co.nz

Please note there may be slight variations in the finish due to the nature of the manufacturing process.

TERMS & CONDITIONS

Consumers - 5 Year Warranty

Felton Industries Limited guarantees these mixers to be free from defects in materials and workmanship for a period of five (5) years from the date of purchase. Fair wear and tear is expressly excluded.

This warranty is effective for 5 years from the date of purchase and covers supply of replacement parts only, not including installation. You must retain proof of purchase of the Mixer (such as an invoice or receipt) and provide this to Felton on request.

This warranty is for manufacturing defects only and does not cover any damage to the product due to abuse, negligence or improper installation. This warranty is given on the understanding that the product is installed and operated according to Felton's installation guide and the Australian/New Zealand standard AS/NZS3500. This warranty is provided to persons who are a "consumer" under the Consumer Guarantees Act 1993 only and for use in domestic/residential dwellings only (not for commercial use).

NOTE: At no stage should any surface coatings be cleaned with cleaning agents that contain a corrosive acid or a scouring additive. Surface coatings should be cleaned with liquid detergent or soap and water. Any damage caused through the use of an unsuitable cleaner will not be covered by this warranty.

This warranty is subject to any other rights or remedies that you may have under the Consumer Guarantees Act 1993 (or any other applicable legislation) and to Felton's Terms of Trade.

Consumers - 10 Year Warranty

Felton Industries Limited guarantees these mixers to be free from defects in materials and workmanship for a period of five (10) years from the date of purchase. Fair wear and tear is expressly excluded.

This warranty is effective for 10 years from the date of purchase and covers supply of replacement parts only, not including installation. You must retain proof of purchase of the Mixer (such as an invoice or receipt) and provide this to Felton on request.

This warranty is for manufacturing defects only and does not cover any damage to the product due to abuse, negligence or improper installation. This warranty is given on the understanding that the product is installed and operated according to Felton's installation guide and the Australian/New Zealand standard AS/NZS3500. This warranty is provided to persons who are a "consumer" under the Consumer Guarantees Act 1993 only and for use in domestic/residential dwellings only (not for commercial use).

NOTE: At no stage should any surface coatings be cleaned with cleaning agents that contain a corrosive acid or a scouring additive. Surface coatings should be cleaned with liquid detergent or soap and water. Any damage caused through the use of an unsuitable cleaner will not be covered by this warranty.

This warranty is subject to any other rights or remedies that you may have under the Consumer Guarantees Act 1993 (or any other applicable legislation) and to Felton's Terms of Trade.

Commercial - 12 Month Warranty

Except where Felton products are promoted as "Not for Commercial Use", Felton Industries Limited guarantees these mixers to be free from defects in materials and workmanship, in a commercial application, for a period of twelve (12) months from the date of purchase. Where Felton products are promoted as "Not for Commercial Use", should these be used in a commercial application, then this warranty does not apply. Fair wear and tear is expressly excluded.

This warranty is effective for 12 months from the date of purchase and covers supply of replacement parts only, not including installation. You must retain proof of purchase of the Mixer (such as an invoice or receipt) and provide this to Felton on request.

This warranty is for manufacturing defects only and does not cover any damage to the product due to abuse, negligence or improper installation. This warranty is given on the understanding that the product is installed by a registered plumber and operated according to Felton's installation guide and the Australian/New Zealand standard AS/NZS3500. This warranty is provided to persons who are not defined as a "consumer" under the Consumer Guarantees Act 1993.

NOTE: At no stage should any surface coatings be cleaned with cleaning agents that contain a corrosive acid or a scouring additive. Surface coatings should be cleaned with liquid detergent or soap and water. Any damage caused through the use of an unsuitable cleaner will not be covered by this warranty.

This warranty is subject to Felton's Terms of Trade.

Consumers - Lifetime Extension Warranty (Domestic/Residential)

This warranty is given on the understanding that the product is installed and operated according to the installation guide provided and the Australian/New Zealand standard AS/NZS3500, by a registered plumber.

Subject to any other rights or remedies that you may have under the Consumer Guarantees Act 1993 (or any other applicable legislation). Felton Industries Limited agrees to either repair or replace (at Felton's sole discretion) the Mixer (as defined below) if it is discovered that the Mixer contains a material defect which arose in the course of its manufacture, on and subject to the Terms and Conditions set out below.

What the Lifetime Extension Warranty does cover:

- 1) This warranty extension applies in respect of Felton sink, basin and shower mixing valves ("Mixer") which are used in residential/domestic installations only.
- 2) This warranty is for the lifetime of the first registered owner of the residential dwelling in which the Mixer is installed and who completes this warranty card and is not transferable to any subsequent owner of the dwelling (subject to paragraph 5 under 'What Lifetime Extension Warranty does not cover).
- 3) This warranty extension covers the repair or replacement only of Mixer parts for a lifetime period provided that you register the purchase and installation of the Mixer with Felton by returning this warranty card to us within 6 months from the date of purchase.
- 4) This warranty extension covers labour relating solely to repairing or replacing the Mixer for a period of 5 years from the date of purchase, provided the product is installed by a registered plumber in accordance with Felton's installation instructions and the Australian/New Zealand standard AS/ NZS3500 and you return this warranty card to us within 6 months from the date of purchase.

What the Lifetime Extension Warranty does not cover:

- 1) This warranty extension does not apply to shower hoses, Designer wall sets, and shower heads nor does it apply to the Feltonmix range of products.
- 2) This warranty will be null and void unless the Mixer is installed by a registered plumber in accordance with Felton's installation instructions. A registered plumber is a person registered as a registered plumber with the NZ Plumber Gasfitters and Drainlayers Board.
- 3) This warranty is for manufacturing defects only and the Mixer must not have been damaged by misuse, accident or neglect. Fair wear and tear is expressly excluded.
- 4) This warranty is provided to persons who are a "consumer" under the Consumer Guarantees Act 1993 and for use in domestic/ residential dwellings in New Zealand only, not for commercial use. It is not transferable and shall apply to the first registered owner of the Mixer only.
- 5) Notwithstanding point 4. above, where the Mixer has been purchased and installed in a residential dwelling by a party that has constructed that dwelling with the intention of sale, this warranty will apply to the first occupier of that home (but shall not apply to any subsequent occupiers of that home).
- 6) Where Felton elects, in its sole discretion, to provide you with a replacement Mixer the cost of freight will be met by you.
- 7) In order for the Lifetime Extension Warranty to apply, you must complete the registration form and return this warranty card to Felton within 6 months from the date of purchase of the Mixer.
- 8) All repair work covered by this warranty must be performed by an authorised Felton Service Partner, Felton staff member or, provided that approval is first obtained from Felton and an authorisation number is provided to you by Felton, a certified plumber. The Mixer must not have been tampered with or repaired in any other way other than in accordance with these Terms and Conditions.
- 9) Product purchased before 1st of April 2014 is not covered by this warranty.

DIGITAL WARRANTY

5 year warranty applies to all Felton branded products including the electronic hardware and its components.

Where products are promoted as having a “5 year warranty”, Felton Industries Limited guarantees the electronic components of these products (excluding batteries) to be free from defects in materials and workmanship under normal installation, use and service for a period of five (5) years from the date of purchase. Fair wear and tear is expressly excluded.

This warranty is effective for five (5) years from the date of purchase and covers electronic replacement parts only (excluding batteries) and 2 years from the date of purchase for plumber’s labour relating solely to repairing or replacing the Hardware, provided the product is installed by a registered plumber. You must retain proof of purchase of the hardware (such as an invoice or receipt) and proof of installation by a registered plumber and provide these to Felton on request.

This warranty is for manufacturing defects only and does not cover any damage to product due to abuse, negligence or improper installation. This warranty is given on the understanding that the product is installed by a registered plumber and operated according to Felton’s installation guide and the Australian/New Zealand standard AS/NZS3500. This warranty is provided to persons who are a “consumer” under the Consumer Guarantees Act 1993 only and for use in domestic/residential dwellings only (not for commercial use).

This warranty is subject to any other rights or remedies that you may have under the Consumer Guarantees Act 1993 (or any other applicable legislation) and to Felton’s Terms of Trade.

This 5 year warranty does not cover:

- 1) any consumable items (e.g. batteries, filters, installation fittings) supplied with the products.
- 2) damage, problems or unsatisfactory performance caused to the electronic hardware by:
 - a. Faulty or incorrect electrical wiring, incorrect power supply, voltage fluctuations, over voltage transient spikes or electromagnetic interference not originating within the electronic hardware.
 - b. Incorrect or poor installation or application
 - c. Operation at conditions outside the operating conditions specified in the Felton technical or sales data applicable to that electronic hardware.
 - d. Reconfiguration of the digital interface by the user – this is considered a service not a warranty.

FINISHES CARE & MAINTENANCE

Any metal coating can scratch, whether it’s a chrome plated tap or a polished car – if you scrape something sharp or hard on the surface, it will leave a mark and may remove some coating. All that should touch tapware and showerware is skin, cloths and towels. Rings on fingers can be a risk – but it takes some force to do much damage.

The main risk of scratching is in the installation and building phase. Once installed, fittings need protection until the renovation or build is finished. We recommend leaving the cloth bag (supplied with most tapware product) or shower mixer sleeve protector over it until all work is finished.

A soft cloth or microfibre cloth and warm soapy water is all that’s needed to clean Felton products. Avoid waxes, solvents, abrasives, acids and other chemical-based cleaning products and don’t use any rough cleaning materials such as scourers.

A special note for tapware and showerware with a black finish – over time, you may find light staining due to silicone grease from the o-rings and seals used in the swivel joints and for watertightness. You can remove this by using a clean soft/microfibre cloth with methylated spirits (denatured alcohol) or dishwashing liquid to remove any silicone grease stain. Overall, with a little TLC the more you care for your tapware, the longer they will last.

N.B. All Black, Gloss Black, Brushed Gold, Brushed Nickel, Brushed Gunmetal and Brushed Bronze products have a 5 year limited warranty on product finish.

Please note there may be slight variations in the finish due to the nature of the manufacturing process.

FELTON

Product Catalogue 2022

EDITION ONE

www.felton.co.nz

CALL 0800 743 358

FAX 0800 329 335

At Felton we care about our customers, our people and our planet. We are passionate about enhancing lives with innovative products. Felton products combine unique water technologies with a focus on the end user.

To find out more, visit our website or follow us on social media.

FELTON PRODUCT CATALOGUE

Effective 1 April 2022. Products may differ slightly from literature and illustrations. Felton Industries Limited reserves the right to incorporate product changes and improvements without prior notice.



FELTON INDUSTRIES LTD

8 Farmhouse Lane, Saint Johns, Auckland 1072
sales@felton.co.nz | Find us on social media



@feltontapware



/feltonltd



/FeltonIndustriesLimited



@feltonltd



/felton-industries-limited